

SAE 6000 PSI

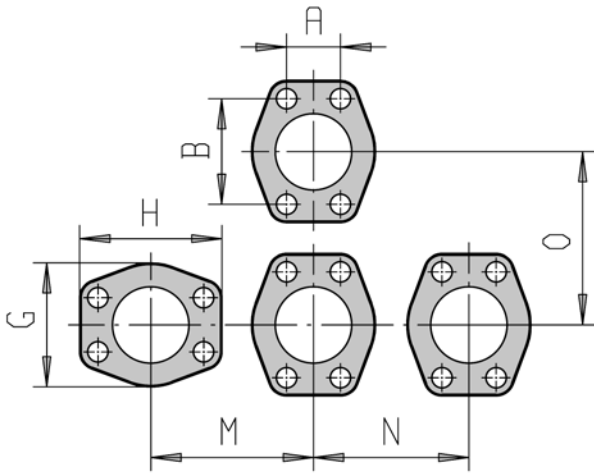
Product

Page

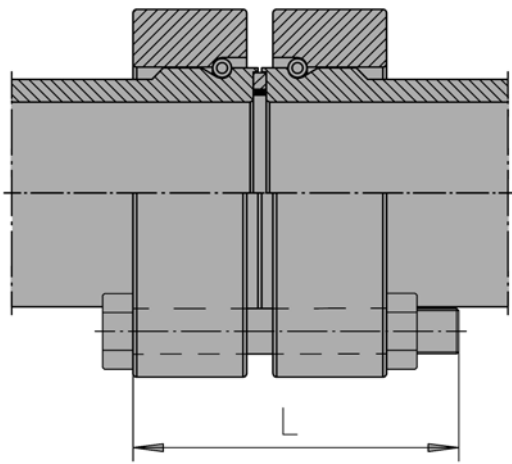
Retain Ring Flanges	101
Flare Flanges	102
Grooving Direct On To Pipe	103
Flare Flange Connection - Type A	104
Flare Flange Connection - Type B	106
Flare Flange Connection - Type C	108
Flare Flange Connection - Type D	110
Flange for Welding (1/2" - 1")	112
Flange for Welding (1 1/4" - 2")	113
Female Thread Flange (BSP)	114
Male Thread Flange (BSP)	115
Male Thread Flange (NPT)	116
Male Thread Flange (SAE)	117
Tee Flange	118
Tee Block	119
Tee Between (BSP)	120
Blind Flange	121
Elbow Block	122
Flange Bend	123
Elbow Flange	124
Reducer Flange	125
Reducer Block	126
Bulkhead Flange	127
Vibra Bulkhead Flange	128
Insert Cones	129
Adapters	131
Retain Ring	133
Bonded Seal	134
O-ring	135
O-ring 2 for Insert Cone	136
Sleeve	138
Seal Carriers	139



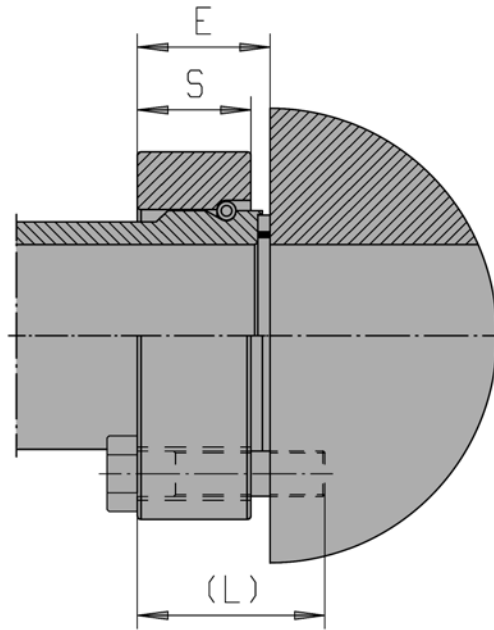
SAE 6000 PSI



Notice! When stainless steel piping system, component or module conforms with Pressure Equipment Directive 97/23/EL, max. allowed working pressure is 95% of the informed value.



Flange to flange



Flange to block

Metric

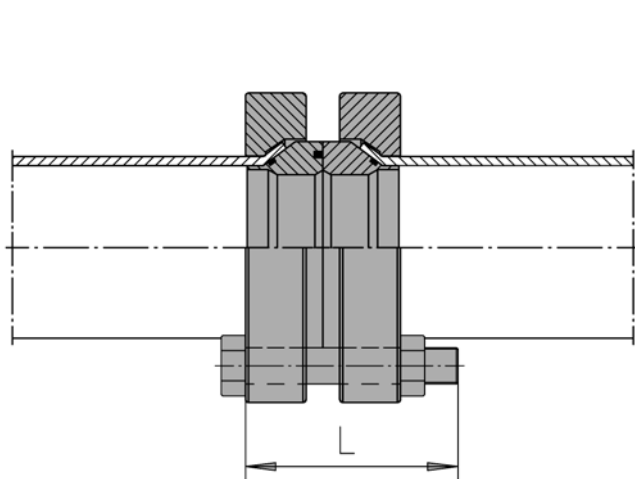
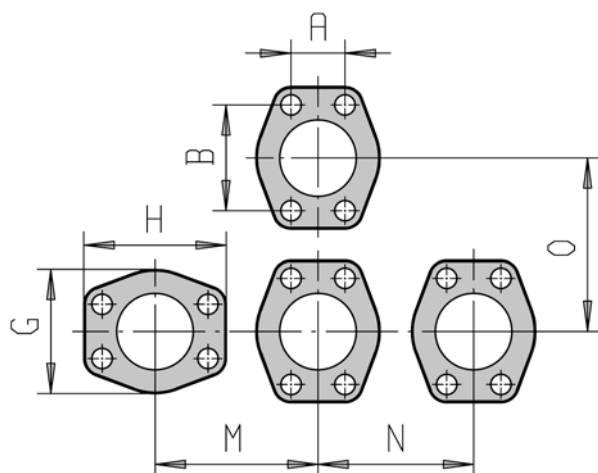
Size	Part No	ID Code	A	B	G	H	M	N	O	S	E	Bolt L DIN 912, 8.8	W.P. bar	Bolt Torque	Weight (kg)
1/2"	608	11030001	18.2	40.5	48	56	56	53	59	20	24	M8x60(35)	420	20 Nm	0.20
3/4"	612	11030300	23.8	50.8	60	71	70	66	75	25	25	M10x70(40)	420	34 Nm	0.38
1"	616	11030600	27.8	57.2	70	81	80	75	84	25	27	M12x70(45)	420	56 Nm	0.50
1 1/4"	620	11030900	31.7	66.7	78	95	90	83	99	30	33	M14x90(50)	420	85 Nm	0.87
1 1/2"	624	11031200	36.5	79.4	95	113	108	101	116	35	37	M16x100(60)	420	130 Nm	1.40
2"	632	11031500	44.5	96.8	114	133	128	120	137	40	42	M20x110(70)	420	195 Nm	2.18

ANSI 36.19

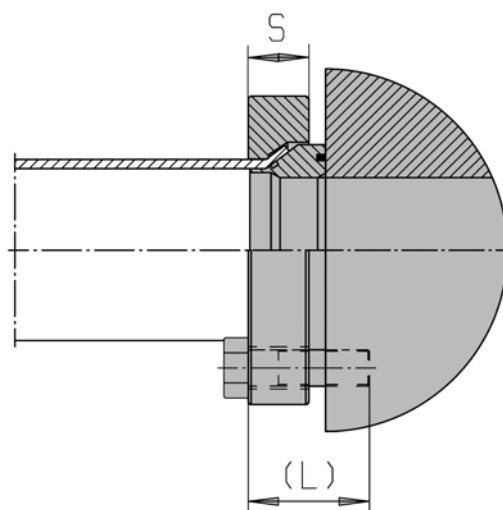
Size	Part No	ID Code	A	B	G	H	M	N	O	S	E	Bolt L DIN 912, 8.8	W.P. bar	Bolt Torque	Weight (kg)
1/2"	608/21.3	11030015	18.2	40.5	48	56	56	53	59	20	24	M8x60(35)	420	20 Nm	0.28
3/4"	612/26.7	11030315	23.8	50.8	60	71	70	66	75	25	25	M10x65(40)	420	30 Nm	0.46
1"	616/33.4	11030615	27.8	57.2	70	81	80	75	84	25	27	M12x70(45)	420	56 Nm	0.58
1 1/4"	620/42.2	11030910	31.7	66.7	78	95	90	83	99	30	33	M14x85(50)	420	85 Nm	1.00
1 1/2"	624/48.3	11031208	36.5	79.4	95	113	108	101	116	35	37	M16x95(60)	420	120 Nm	1.80
2"	632/60.3	11031506	44.5	96.8	114	133	128	120	137	40	42	M20x110(70)	420	195 Nm	2.35

Flange material: forged St 50.2
Other materials by request, for example Stainless Steel, SMO, Duplex, Titanium and Superduplex.

L= Flange to flange
(L)= Flange to block



Flange to flange



Flange to block

Metric

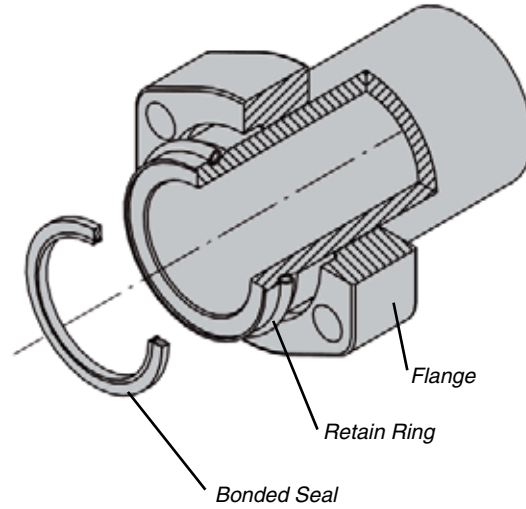
Size	Part No	ID Code	A	B	G	H	M	N	O	S	Bolt L DIN 912, 8.8	W.P. bar	Bolt Torque	Weight (kg)
1/2"	608F	11030030	18.2	40.5	48	56	56	53	59	22	M8x60(35)	420	20 Nm	0.20
3/4"	612F	11030330	23.8	50.8	60	71	70	66	75	23	M10x70(40)	420	34 Nm	0.42
1"	616F	11030630	27.8	57.2	70	81	80	75	84	25	M12x70(45)	420	56 Nm	0.51
1 1/4"	620F	11030930	31.7	66.7	78	95	90	83	99	30	M14x90(50)	420	85 Nm	0.86
1 1/2"	624F	11031230	36.5	79.4	95	113	108	101	116	33	M16x100(60)	420	158 Nm	1.45
2"	632F	11031530	44.5	96.8	114	133	128	120	137	38	M20x110(70)	420	250 Nm	2.35

ANSI 36.19

Size	Part No	ID Code	A	B	G	H	M	N	O	S	Bolt L DIN 912, 8.8	W.P. bar	Bolt Torque	Weight (kg)
1/2"	608F/21.3	11030015	18.2	40.5	48	56	56	53	59	22	M8x60(35)	420	20 Nm	0.3
3/4"	612F/26.7	11030333	23.8	50.8	60	71	70	66	75	23	M10x70(40)	420	34 Nm	0.5
1"	616F/33.4	11030633	27.8	57.2	70	81	80	75	84	25	M12x70(45)	420	56 Nm	0.6
1 1/4"	620F/42.2	11030940	31.7	66.7	78	95	90	83	99	30	M14x90(50)	420	85 Nm	1.0
1 1/2"	624F/48.3	11031240	36.5	79.4	95	113	108	101	116	33	M16x100(60)	420	158 Nm	1.9
2"	632F/60.3	11031540	44.5	96.8	114	133	128	120	137	38	M20x110(70)	420	250 Nm	2.5

Flange material: forged St 50.2
Other materials by request, for example Stainless Steel, SMO, Duplex, Titanium and Superduplex.

L= Flange to flange
(L)= Flange to block



TUBES & PIPES

CLAMPS

VALVES

BITE TYPE FITTINGS

SAE J514 JIC FLARE FITTINGS

HOSES & HOSE COUPLINGS

ADAPTORS

SPECIAL SOLUTIONS

MACHINES

TECHNICAL INFORMATION

Metric

Size	Pipe Size	Flange Part No	Flange ID Code	Retain Ring Part No	Retain Ring ID Code	Bonded Seal Part No	Bonded Seal ID Code
1"	39x7.5	616	11030600	16	19020020	1629	19030030
1 1/4"	46x8	620	11030900	20	19020030	2030	19030040
1 1/2"	56x8.5	624	11031200	24	19020040	2432	19030050
2"	66x8.5	632	11031500	32	19020060	3219	19030070

ANSI 36.19

Size	Pipe Size	Flange Part No	Flange ID Code	Retain Ring Part No	Retain Ring ID Code	Bonded Seal Part No	Bonded Seal ID Code
1/2"	21.3x7.5	608/21.3	11030015	08/21.3	19020002	0821	19020062
3/4"	26.7x7.8	612/26.7	11030315	12/26.7	19020012	0823	19030017
1"	33.4x9.1	616/33.4	11030615	16/33.4	19020022	1633	13020030
1 1/4"	42.2x9.7	620/42.2	11030910	20/42.2	19020032	2042	19030044
1 1/2"	48.3x10.2	624/48.3	11031208	24/48.3	19020042	2448	19030052
2"	60.3x11.1	632/60.3	11031506	32/60.3	19020062	3260	19030074
2"	60.3x8.7	632/60.3	11031506	32/60.3	19020062	3260	19030074

Flange material: Forged St50.2, Stainless Steel, SMO, Duplex, Titanium, Superduplex.

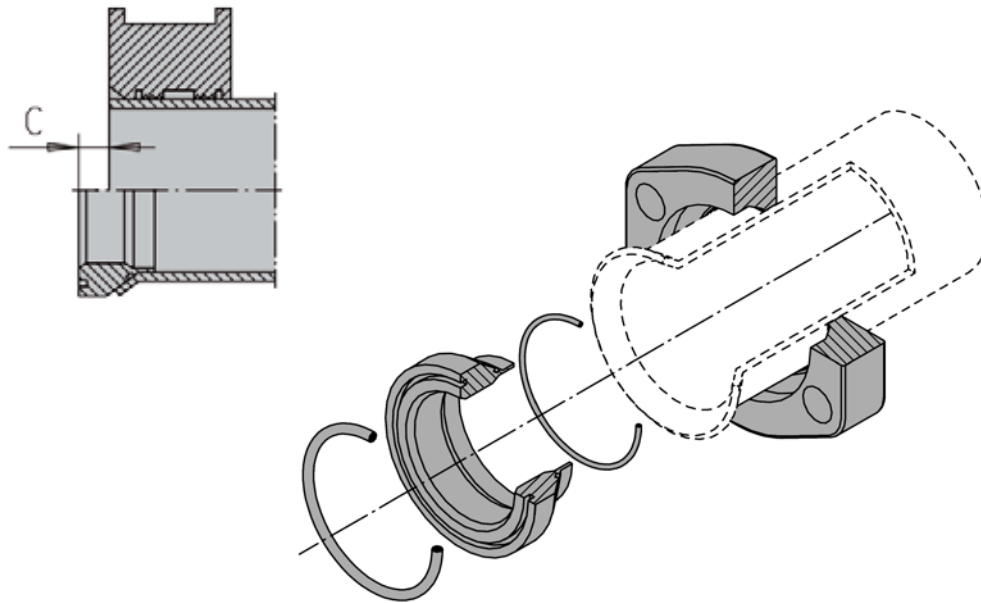
Retain ring material: AISI 302, special treated.

Bonded seal material: Steel and Perbunan or Stainless Steel and Perbunan.

SAE 6000 PSI

Flare Flange Connection – Type A

SAE J518 Code 62



Metric

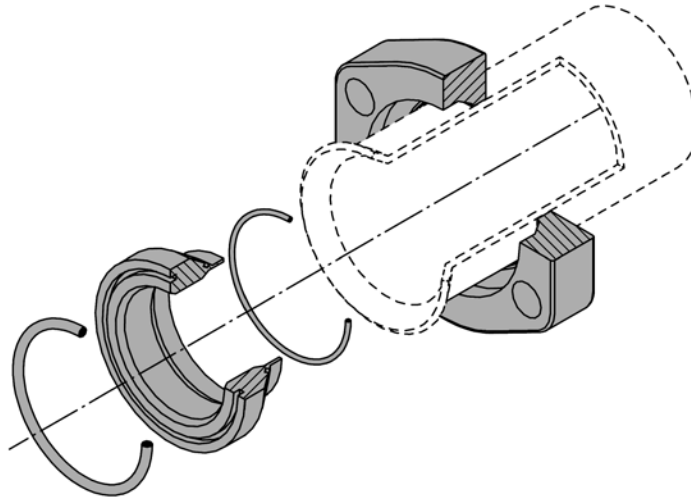
Size	Pipe Size	Complete Part No	Complete ID Code	C	Weight	Insert Part No	O-Ring Part No	O-Ring2 Part No	Sleeve Part No
1/2"	16x2.0	608/16X2.0FA	14015210	10	0.27	08/16X2.0FA	OR18.64x3.53	OR12x1.0	08/16F
1/2"	18x2.0	608/18X2.0FA	14015215	11	0.27	08/18X2.0FA	OR18.64x3.53	OR14x1.0	08/18F
1/2"	20x2.0	608/20X2.0FA	14015220	9	0.26	08/20X2.0FA	OR18.64x3.53	OR16x1.0	08/20F
1/2"	25x2.5	608/25X2.5FA	1401522410	9	0.26	08/25X2.5FA	OR18.64x3.53	OR20x1.0	None
1/2"	25x3.0	608/25X3.0FA	14015225	9	0.24	08/25X3.0FA	OR18.64x3.53	OR20x1.0	None
3/4"	20x2.0	612/20X2.0FA	14015235	12	0.53	12/20X2.0FA	OR24.99x3.53	OR16x1.0	12/20F
3/4"	20x2.5	612/20X2.5FA	1401523705	12	0.54	12/20X2.5FA	OR24.99x3.53	OR15x1.0	12/20F
3/4"	25x2.5	612/25X2.5FA	14015240	9	0.50	12/25X2.5FA	OR24.99x3.53	OR20x1.0	12/25F
3/4"	25x3.0	612/25X3.0FA	14015245	10	0.51	12/25X3.0FA	OR24.99x3.53	OR20x1.0	12/25F
3/4"	30x3.0	612/30X3.0FA	14015265	9	0.48	12/30X3.0FA	OR24.99x3.53	OR23x1.0	None
3/4"	30x4.0	612/30X4.0FA	14015256	9	0.50	12/30X4.0FA	OR24.99x3.53	OR22x1.0	None
1"	25x2.5	616/25X2.5FA	14015260	9	0.69	16/25X2.5FA	OR32.92x3.53	OR20x1.0	16/25F
1"	25x3.0	616/25X3.0FA	1401526410	9	0.66	16/25X3.0FA	OR32.92x3.53	OR20x1.0	16/25F
1"	30x3.0	616/30X3.0FA	14015265	7	0.66	16/30X3.0FA	OR32.92x3.53	OR23x1.0	16/30F
1"	30x4.0	616/30X4.0FA	14015270	7	0.66	16/30X4.0FA	OR32.92x3.53	OR22x1.0	16/30F
1"	38x4.0	616/38X4.0FA	14015275	10	0.60	16/38X4.0FA	OR32.92x3.53	OR30x1.0	None
1 1/4"	30x3.0	620/30X3.0FA	14015285	10	1.08	20/30X3.0FA	OR37.69x3.53	OR23x1.0	20/30F
1 1/4"	30x4.0	620/30X4.0FA	1401528910	10	1.08	20/30X4.0FA	OR37.69x3.53	OR22x1.0	20/30F
1 1/4"	38x4.0	620/38X4.0FA	14015290	9	1.01	20/38X4.0FA	OR37.69x3.53	OR30x1.0	20/38F
1 1/4"	38x5.0	620/38X5.0FA	14015295	9	1.00	20/38X5.0FA	OR37.69x3.53	OR28x1.0	20/38F
1 1/4"	42x4.0	620/42X4.0FA	14015300	11	0.98	20/42X4.0FA	OR37.69x3.53	OR34x1.0	None
1 1/2"	30x3.0	624/30X3.0FA	14015306	14	1.16	24/30X3.0FA	OR47.22x3.53	OR23x1.0	24/30F
1 1/2"	38x4.0	624/38X4.0FA	14015310	13	1.76	24/38X4.0FA	OR47.22x3.53	OR30x1.0	24/38F
1 1/2"	38x5.0	624/38X5.0FA	1401531410	13	1.73	24/38X5.0FA	OR47.22x3.53	OR28x1.0	24/38F
1 1/2"	42x4.0	624/42X4.0FA	14015315	13	1.71	24/42X4.0FA	OR47.22x3.53	OR34x1.0	24/42F
1 1/2"	50x5.0	624/50X5.0FA	14015320	11	1.60	24/50X5.0FA	OR47.22x3.53	OR41x1.78	None
2"	50x5.0	632/50X5.0FA	14015330	11	2.70	32/50X5.0FA	OR56.75x3.53	OR41x1.78	32/50F
2"	60x5.0	632/60X5.0FA	14015335	11	2.52	32/60X5.0FA	OR56.75x3.53	OR50.52x1.78	None
2"	60x6.0	632/60X6.0FA	14015340	11	2.52	32/60X6.0FA	OR56.75x3.53	OR47.37x1.78	None

Part code does not include bolts
Material possibilities page 17

Flanges page 102
Insert cones page 129
Sleeves page 138
O-Rings page 135-136

SAE J518 Code 62

Flare Flange Connection – Type A



ANSI 36.19

Size	Pipe Size	Complete Part No	Complete ID Code	Weight (kg)	Insert Part No	O-Ring Part No	O-Ring2 Part No
1/2"	21.3X3.7	608/21.3X3.7FA	14017610	0.2	08/21.3X3.7FA	OR18.64x3.53	OR14x1.0
1/2"	21.3X4.8	608/21.3X4.8FA	14017620	0.2	08/21.3X4.8FA	OR18.64x3.53	OR12x1.0
1/2"	19.05X2.11	608/19.05X2.11FA	14017630	0.2	08/19.05X2.11FA	OR18.64x3.53	OR14x1.0
1/2"	19.05X2.41	608/19.05X2.41FA	14017640	0.2	08/19.05X2.41FA	OR18.64x3.53	OR14x1.0
1/2"	19.05X2.77	608/19.05X2.77FA	14017650	0.2	08/19.05X2.77FA	OR18.64x3.53	OR14x1.0
3/4"	26.7X3.9	612/26.7X3.9FA	14017660	0.3	12/26.7X3.9FA	OR25x3.53	OR20x1.0
3/4"	26.7X5.6	612/26.7X5.6FA	14017670	0.3	12/26.7X5.6FA	OR25x3.53	OR16x1.0
3/4"	25.4X2.11	612/25.4X2.11FA	14017680	0.3	12/25.4X2.11FA	OR25x3.53	OR20X1.0
3/4"	25.4X2.77	612/25.4X2.77FA	14017690	0.3	12/25.4X2.77FA	OR25x3.53	OR20X1.0
3/4"	25.4X3.05	612/25.4X3.05FA	14017700	0.3	12/25.4X3.05FA	OR25x3.53	OR20X1.0
1"	33.4X3.4	616/33.4X3.4FA	14017710	0.5	16/33.4X3.4FA	OR32.92x3.53	OR28x1.0
1"	33.4X4.6	616/33.4X4.6FA	14017720	0.5	16/33.4X4.6FA	OR32.92x3.53	OR23x1.0
1"	33.4X6.4	616/33.4X6.4FA	14017730	0.5	16/33.4X6.4FA	OR32.92x3.53	OR21x1.0
1"	31.75X2.77	616/31.75X2.77FA	14017740	0.5	16/31.75X2.77FA	OR32.92x3.53	OR25X1.0
1"	31.75X3.05	616/31.75X3.05FA	14017750	0.5	16/31.75X3.05FA	OR32.92x3.53	OR25X1.0
1"	31.75X3.40	616/31.75X3.40FA	14017760	0.5	16/31.75X3.40FA	OR32.92x3.53	OR23X1.0
1 1/4"	38.1X3.40	620/38.1X3.40FA	14017770	0.6	20/38.1X3.40FA	OR37.69x3.53	OR30X1.0
1 1/4"	38.1X3.96	620/38.1X3.96FA	14017780	0.6	20/38.1X3.96FA	OR37.69x3.53	OR30X1.0
1 1/4"	38.1X4.78	620/38.1X4.78FA	14017790	0.6	20/38.1X4.78FA	OR37.69x3.53	OR28X1.0
1 1/4"	42.2X3.6	620/42.2X3.6FA	14017800	0.6	20/42.2X3.6FA	OR37.69x3.53	OR34X1.0
1 1/4"	42.2X4.9	620/42.2X4.9FA	14017810	0.6	20/42.2X4.9FA	OR37.69x3.53	OR32x1.0
1 1/4"	42.2X6.4	620/42.2X6.4FA	14017820	0.6	20/42.2X6.4FA	OR37.69x3.53	OR30x1.0
1 1/2"	50.8X3.96	624/50.8X3.96FA	14017830	0.9	24/50.8X3.96FA	OR47.22x3.53	OR41X1.78
1 1/2"	50.8X4.78	624/50.8X4.78FA	14017840	0.9	24/50.8X4.78FA	OR47.22x3.53	OR41x1.78
1 1/2"	48.3X3.7	624/48.3X3.7FA	14017850	0.9	24/48.3X3.7FA	OR47.22x3.53	OR41x1.78
1 1/2"	48.3X5.1	624/48.3X5.1FA	14017860	0.9	24/48.3X5.1FA	OR47.22x3.53	OR37.82x1.78
2"	60.3X3.9	632/60.3X3.9FA	14017870	1.4	32/60.3X3.9FA	OR56.75x3.53	OR53.70x1.78
2"	60.3X5.5	632/60.3X5.5FA	14017880	1.4	32/60.3X5.5FA	OR56.75x3.53	OR50.52x1.78

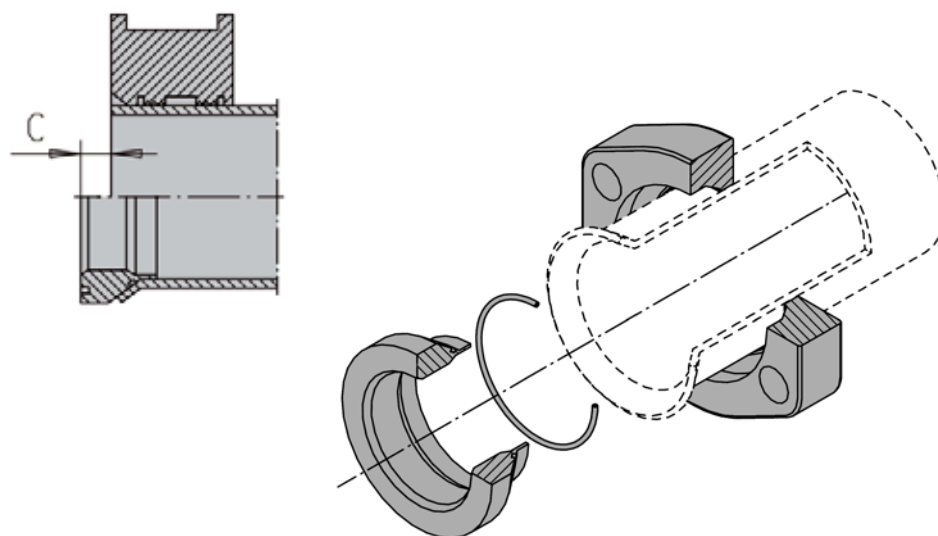
Part code does not include bolts
Material possibilities page 17

Flanges page 102
Insert cones page 130
O-Rings page 135, 137

SAE 6000 PSI

Flare Flange Connection – Type B

SAE J518 Code 62

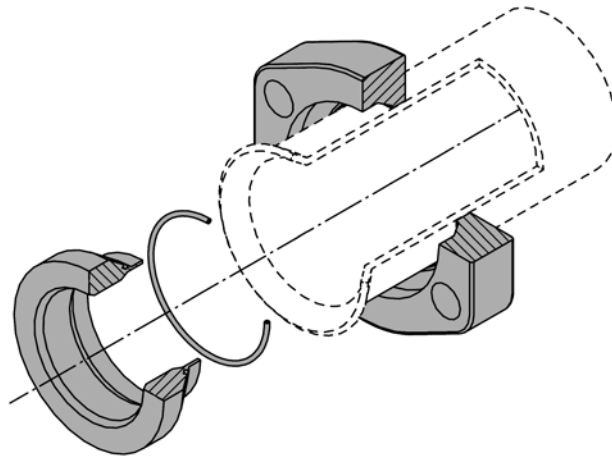


Metric

Size	Pipe Size	Complete Part No	Complete ID Code	C	Weight (kg)	Insert Part No	O-Ring2 Part No	Sleeve Part No
1/2"	16x2.0	608/16X2.0FB	14015211	10	0.27	08/16X2.0FB	OR12x1.0	08/16F
1/2"	18x2.0	608/18X2.0FB	14015215	11	0.27	08/18X2.0FB	OR14x1.0	08/18F
1/2"	20x2.0	608/20X2.0FB	14015220	9	0.26	08/20X2.0FB	OR16x1.0	08/20F
1/2"	25x2.5	608/25X2.5FB	1401522420	9	0.26	08/25X2.5FB	OR20x1.0	None
1/2"	25x3.0	608/25X3.0FB	14015226	9	0.24	08/25X3.0FB	OR20x1.0	None
3/4"	20x2.0	612/20X2.0FB	14015236	12	0.53	12/20X2.0FB	OR16x1.0	12/20F
3/4"	20x2.5	612/20X2.5FB	14015231	12	0.54	12/20X2.5FB	OR15x1.0	12/20F
3/4"	25x2.5	612/25X2.5FB	14015241	9	0.50	12/25X2.5FB	OR20x1.0	12/25F
3/4"	25x3.0	612/25X3.0FB	14015245	10	0.51	12/25X3.0FB	OR20x1.0	12/25F
3/4"	30x3.0	612/30X3.0FB	14015251	9	0.48	12/30X3.0FB	OR23x1.0	None
3/4"	30x4.0	612/30X4.0FB	140152371	9	0.50	12/30X4.0FB	OR22x1.0	None
1"	25x2.5	616/25X2.5FB	14015261	9	0.69	16/25X2.5FB	OR20x1.0	16/25F
1"	25x3.0	616/25X3.0FB	1401526420	9	0.66	16/25X3.0FB	OR02x1.0	16/25F
1"	30x3.0	616/30X3.0FB	14015266	7	0.66	16/30X3.0FB	OR23x1.0	16/30F
1"	30x4.0	616/30X4.0FB	14015271	7	0.66	16/30X4.0FB	OR22x1.0	16/30F
1"	38x4.0	616/38X4.0FB	14015276	10	0.60	16/38X4.0FB	OR30x1.0	None
1 1/4"	30x3.0	620/30X3.0FB	14015286	10	1.08	20/30X3.0FB	OR23x1.0	20/30F
1 1/4"	30x4.0	620/30X4.0FB	1401528912	10	1.08	20/30X4.0FB	OR22x1.0	20/30F
1 1/4"	38x4.0	620/38X4.0FB	14015292	9	1.01	20/38X4.0FB	OR30x1.0	20/38F
1 1/4"	38x5.0	620/38X5.0FB	14015296	9	1.00	20/38X5.0FB	OR28x1.0	20/38F
1 1/4"	42x4.0	620/42X4.0FB	14015301	11	0.98	20/42X4.0FB	OR34x1.0	None
1 1/2"	30x3.0	624/30X3.0FB	14015307	14	1.16	24/30X3.0FB	OR23x1.0	24/30F
1 1/2"	38x4.0	624/38X4.0FB	14015311	13	1.76	24/38X4.0FB	OR30x1.0	24/38F
1 1/2"	38x5.0	624/38X5.0FB	1401531410	13	1.73	24/38X5.0FB	OR28x1.0	24/38F
1 1/2"	42x4.0	624/42X4.0FB	14015316	13	1.71	24/42X4.0FB	OR34x1.0	24/42F
1 1/2"	50x5.0	624/50X5.0FB	14015321	11	1.60	24/50X5.0FB	OR41x1.78	None
2"	50x5.0	632/50X5.0FB	14015331	11	2.70	32/50X5.0FB	OR41x1.78	32/50F
2"	60x5.0	632/60X5.0FB	14015336	11	2.52	32/60X5.0FB	OR50.52x1.78	None
2"	60x6.0	632/60X6.0FB	14015341	11	2.52	32/60X6.0FB	OR47.37x1.78	None

Part code does not include bolts
Material possibilities page 17

Flanges page 102
Insert cones page 129
Sleeves page 138
O-Rings page 136



ANSI 36.19

Size	Pipe Size	Complete Part No	Complete ID Code	Weight (kg)	Insert	O-Ring2
1/2"	21.3X3.7	608/21.3X3.7FB	14017612	0.2	08/21.3X3.7FB	OR14x1.0
1/2"	21.3X4.8	608/21.3X4.8FB	14017622	0.2	08/21.3X4.8FB	OR12x1.0
1/2"	19.05X2.11	608/19.05X2.11FB	14017632	0.2	08/19.05X2.11FB	OR14x1.0
1/2"	19.05X2.41	608/19.05X2.41FB	14017642	0.2	08/19.05X2.41FB	OR14x1.0
1/2"	19.05X2.77	608/19.05X2.77FB	14017652	0.2	08/19.05X2.77FB	OR14x1.0
3/4"	26.7X3.9	612/26.7X3.9FB	14017662	0.3	12/26.7X3.9FB	OR20x1.0
3/4"	26.7X5.6	612/26.7X5.6FB	14017672	0.3	12/26.7X5.6FB	OR16x1.0
3/4"	25.4X2.11	612/25.4X2.11FB	14017682	0.3	12/25.4X2.11FB	OR20X1.0
3/4"	25.4X2.77	612/25.4X2.77FB	14017692	0.3	12/25.4X2.77FB	OR20X1.0
3/4"	25.4X3.05	612/25.4X3.05FB	14017702	0.3	12/25.4X3.05FB	OR20X1.0
1"	33.4X3.4	616/33.4X3.4FB	14017712	0.5	16/33.4X3.4FB	OR28x1.0
1"	33.4X4.6	616/33.4X4.6FB	14017722	0.5	16/33.4X4.6FB	OR23x1.0
1"	33.4X6.4	616/33.4X6.4FB	14017732	0.5	16/33.4X6.4FB	OR21x1.0
1"	31.75X2.77	616/31.75X2.77FB	14017742	0.5	16/31.75X2.77FB	OR25X1.0
1"	31.75X3.05	616/31.75X3.05FB	14017752	0.5	16/31.75X3.05FB	OR25X1.0
1"	31.75X3.40	616/31.75X3.40FB	14017762	0.5	16/31.75X3.40FB	OR23X1.0
1 1/4"	38.1X3.40	620/38.1X3.40FB	14017772	0.6	20/38.1X3.40FB	OR30X1.0
1 1/4"	38.1X3.96	620/38.1X3.96FB	14017782	0.6	20/38.1X3.96FB	OR30X1.0
1 1/4"	38.1X4.78	620/38.1X4.78FB	14017792	0.6	20/38.1X4.78FB	OR28X1.0
1 1/4"	42.2X3.6	620/42.2X3.6FB	14017802	0.6	20/42.2X3.6FB	OR34X1.0
1 1/4"	42.2X4.9	620/42.2X4.9FB	14017812	0.6	20/42.2X4.9FB	OR32x1.0
1 1/4"	42.2X6.4	620/42.2X6.4FB	14017822	0.6	20/42.2X6.4FB	OR30x1.0
1 1/2"	50.8X3.96	624/50.8X3.96FB	14017832	0.9	24/50.8X3.96FB	OR41X1.78
1 1/2"	50.8X4.78	624/50.8X4.78FB	14017842	0.9	24/50.8X4.78FB	OR41x1.78
1 1/2"	48.3X3.7	624/48.3X3.7FB	14017852	0.9	24/48.3X3.7FB	OR41x1.78
1 1/2"	48.3X5.1	624/48.3X5.1FB	14017862	0.9	24/48.3X5.1FB	OR37.82x1.78
2"	60.3X3.9	632/60.3X3.9FB	14017872	1.4	32/60.3X3.9FB	OR53.70x1.78
2"	60.3X5.5	632/60.3X5.5FB	14017882	1.4	32/60.3X5.5FB	OR50.52x1.78

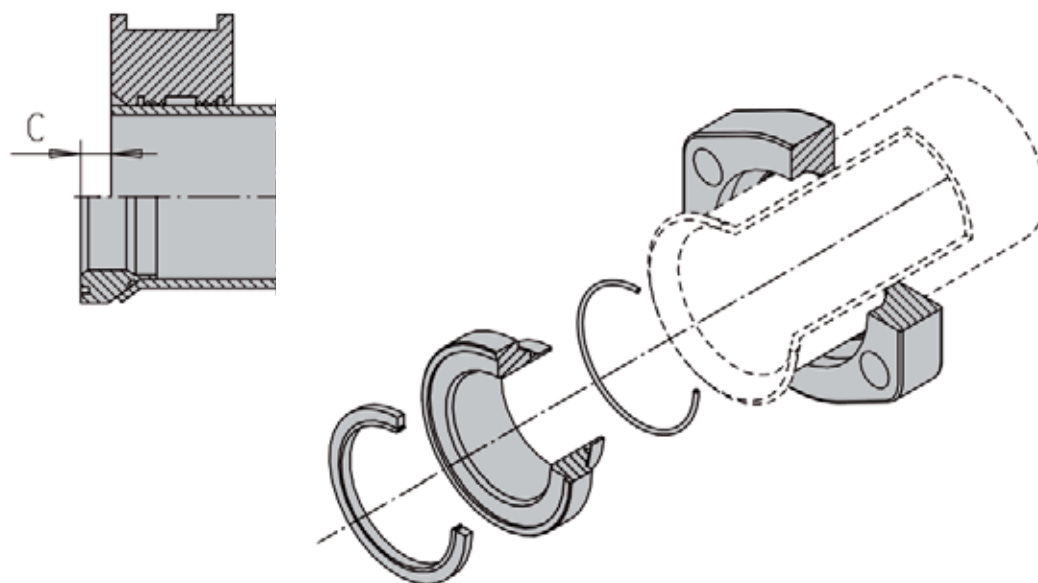
Part code does not include bolts
Material possibilities page 17

Flanges page 102
Insert cones page 130
O-Rings page 137

SAE 6000 PSI

Flare Flange Connection – Type C

SAE J518 Code 62

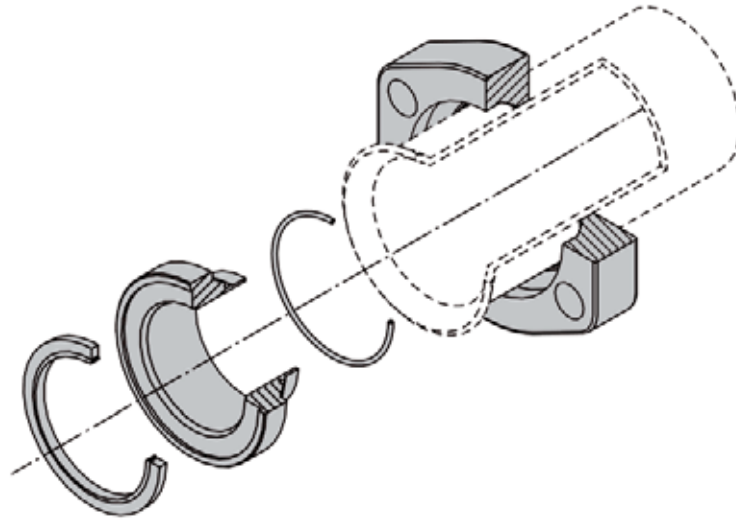


Metric

Size	Pipe Size	Complete Part No	Complete ID Code	C	Weight (kg)	Insert Part No	O-Ring2 Part No	Seal Part No	Sleeve Part No
1/2"	16x2.0	608/16X2.0FC	14015212	10	0.27	08/16X2.0FC	OR12x1.0	0823	08/16F
1/2"	18x2.0	608/18X2.0FC	14015217	11	0.27	08/18X2.0FC	OR14x1.0	0823	08/18F
1/2"	20x2.0	608/20X2.0FC	14015222	9	0.26	08/20X2.0FC	OR16x1.0	0823	08/20F
1/2"	25x2.5	608/25X2.5FC	1401522430	9	0.26	08/25X2.5FC	OR20x1.0	0823	None
1/2"	25x3.0	608/25X3.0FC	14015227	9	0.24	08/25X3.0FC	OR20x1.0	0823	None
3/4"	20x2.0	612/20X2.0FC	14015237	12	0.53	12/20X2.0FC	OR16x1.0	1213	12/20F
3/4"	20x2.5	612/20X2.5FC	14015238	12	0.54	12/20X2.5FC	OR15x1.0	1213	12/20F
3/4"	25x2.5	612/25X2.5FC	14015242	9	0.50	12/25X2.5FC	OR20x1.0	1213	12/25F
3/4"	25x3.0	612/25X3.0FC	14015247	10	0.51	12/25X3.0FC	OR20x1.0	1213	12/25F
3/4"	30x3.0	612/30X3.0FC	14015252	9	0.48	12/30X3.0FC	OR23x1.0	1213	None
3/4"	30x4.0	612/30X4.0FC	14015258	9	0.50	12/30X4.0FC	OR22x1.0	1213	None
1"	25x2.5	616/25X2.5FC	14015262	9	0.69	16/25X2.5FC	OR20x1.0	1629	16/25F
1"	25x3.0	616/25X3.0FC	1401526430	9	0.66	16/25X3.0FC	OR02x1.0	1629	16/25F
1"	30x3.0	616/30X3.0FC	14015267	7	0.66	16/30X3.0FC	OR23x1.0	1629	16/30F
1"	30x4.0	616/30X4.0FC	14015272	7	0.66	16/30X4.0FC	OR22x1.0	1629	16/30F
1"	38x4.0	616/38X4.0FC	14015277	10	0.60	16/38X4.0FC	OR30x1.0	1629	None
1 1/4"	30x3.0	620/30X3.0FC	14015287	10	1.08	20/30X3.0FC	OR23x1.0	2030	20/30F
1 1/4"	30x4.0	620/30X4.0FC	1400528914	10	1.08	20/30X4.0FC	OR22x1.0	2030	20/30F
1 1/4"	38x4.0	620/38X4.0FC	14015293	9	1.01	20/38X4.0FC	OR30x1.0	2030	20/38F
1 1/4"	38x5.0	620/38X5.0FC	14015297	9	1.00	20/38X5.0FC	OR28x1.0	2030	20/38F
1 1/4"	42x4.0	620/42X4.0FC	14015302	11	0.98	20/42X4.0FC	OR34x1.0	2030	None
1 1/2"	30x3.0	624/30X3.0FC	14015308	14	1.16	24/30X3.0FC	OR23x1.0	2432	24/30F
1 1/2"	38x4.0	624/38X4.0FC	14015312	13	1.76	24/38X4.0FC	OR30x1.0	2432	24/38F
1 1/2"	38x5.0	624/38X5.0FC	1401531414	13	1.73	24/38X5.0FC	OR28x1.0	2432	24/38F
1 1/2"	42x4.0	624/42X4.0FC	14015317	13	1.71	24/42X4.0FC	OR34x1.0	2432	24/42F
1 1/2"	50x5.0	624/50X5.0FC	14015322	11	1.60	24/50X5.0FC	OR41x1.78	2432	None
2"	50x5.0	632/50X5.0FC	14015332	11	2.70	32/50X5.0FC	OR41x1.78	3219	32/50F
2"	60x5.0	632/60X5.0FC	14015337	11	2.52	32/60X5.0FC	OR50.52x1.78	3219	None
2"	60x6.0	632/60X6.0FC	14015342	11	2.52	32/60X6.0FC	OR47.37x1.78	3219	None

Part code does not include bolts
Material possibilities page 17

Flanges page 102
Insert cones page 129
Sleeves page 138
O-Rings page 136
Bonded Seals page 134



ANSI 36.19 (with Metric Bonded seal)

Size	Pipe Size	Complete Part No	Complete ID Code	Weight (kg)	Insert	O-Ring2	Bonded Seal
1/2"	21.3X3.7	608/21.3X3.7FC	14017614	0.2	08/21.3X3.7FC	OR14x1.0	0823
1/2"	21.3X4.8	608/21.3X4.8FC	14017624	0.2	08/21.3X4.8FC	OR12x1.0	0823
1/2"	19.05X2.11	608/19.05X2.11FC	14017634	0.2	08/19.05X2.11FC	OR14x1.0	0823
1/2"	19.05X2.41	608/19.05X2.41FC	14017644	0.2	08/19.05X2.41FC	OR14x1.0	0823
1/2"	19.05X2.77	608/19.05X2.77FC	14017654	0.2	08/19.05X2.77FC	OR14x1.0	0823
3/4"	26.7X3.9	612/26.7X3.9FC	14017664	0.3	12/26.7X3.9FC	OR20x1.0	1213
3/4"	26.7X5.6	612/26.7X5.6FC	14017674	0.3	12/26.7X5.6FC	OR16x1.0	1213
3/4"	25.4X2.11	612/25.4X2.11FC	14017684	0.3	12/25.4X2.11FC	OR20x1.0	1213
3/4"	25.4X2.77	612/25.4X2.77FC	14017694	0.3	12/25.4X2.77FC	OR20x1.0	1213
3/4"	25.4X3.05	612/25.4X3.05FC	14017704	0.3	12/25.4X3.05FC	OR20x1.0	1213
1"	33.4X3.4	616/33.4X3.4FC	14017714	0.5	16/33.4X3.4FC	OR28x1.0	1629
1"	33.4X4.6	616/33.4X4.6FC	14017724	0.5	16/33.4X4.6FC	OR23x1.0	1629
1"	33.4X6.4	616/33.4X6.4FC	14017734	0.5	16/33.4X6.4FC	OR21x1.0	1629
1"	31.75X2.77	616/31.75X2.77FC	14017744	0.5	16/31.75X2.77FC	OR25x1.0	1629
1"	31.75X3.05	616/31.75X3.05FC	14017754	0.5	16/31.75X3.05FC	OR25x1.0	1629
1"	31.75X3.40	616/31.75X3.40FC	14017764	0.5	16/31.75X3.40FC	OR23x1.0	1629
1 1/4"	38.1X3.40	620/38.1X3.40FC	14017774	0.6	20/38.1X3.40FC	OR30x1.0	2030
1 1/4"	38.1X3.96	620/38.1X3.96FC	14017784	0.6	20/38.1X3.96FC	OR30x1.0	2030
1 1/4"	38.1X4.78	620/38.1X4.78FC	14017794	0.6	20/38.1X4.78FC	OR28x1.0	2030
1 1/4"	42.2X3.6	620/42.2X3.6FC	14017804	0.6	20/42.2X3.6FC	OR34x1.0	2030
1 1/4"	42.2X4.9	620/42.2X4.9FC	14017814	0.6	20/42.2X4.9FC	OR32x1.0	2030
1 1/4"	42.2X6.4	620/42.2X6.4FC	14017824	0.6	20/42.2X6.4FC	OR30x1.0	2030
1 1/2"	50.8X3.96	624/50.8X3.96FC	14017834	0.9	24/50.8X3.96FC	OR41x1.78	2432
1 1/2"	50.8X4.78	624/50.8X4.78FC	14017844	0.9	24/50.8X4.78FC	OR41x1.78	2432
1 1/2"	48.3X3.7	624/48.3X3.7FC	14017854	0.9	24/48.3X3.7FC	OR41x1.78	2432
1 1/2"	48.3X5.1	624/48.3X5.1FC	14017864	0.9	24/48.3X5.1FC	OR37.82x1.78	2432
2"	60.3X3.9	632/60.3X3.9FC	14017874	1.4	32/60.3X3.9FC	OR53.70x1.78	3219
2"	60.3X5.5	632/60.3X5.5FC	14017884	1.4	32/60.3X5.5FC	OR50.52x1.78	3219

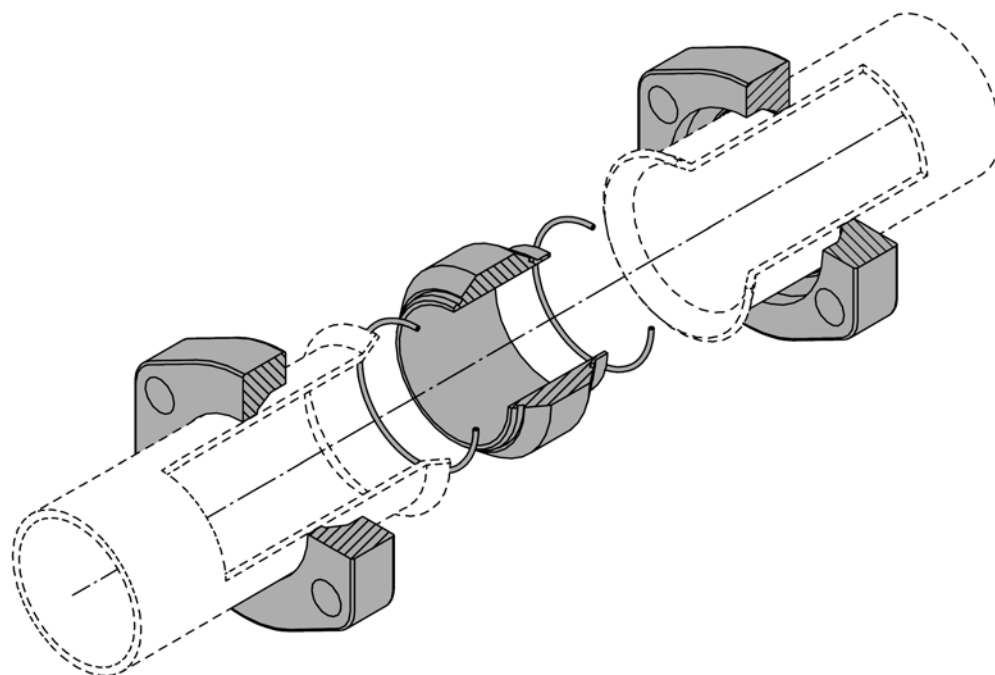
Part code does not include bolts
 Material possibilities page 17
 By request with ANSI 36.19 bonded seal.

Flanges page 102
 Insert cones page 130
 O-Rings page 1137
 Bonded Seals page 134

SAE 6000 PSI

Flare Flange Connection – Type D

SAE J518 Code 62

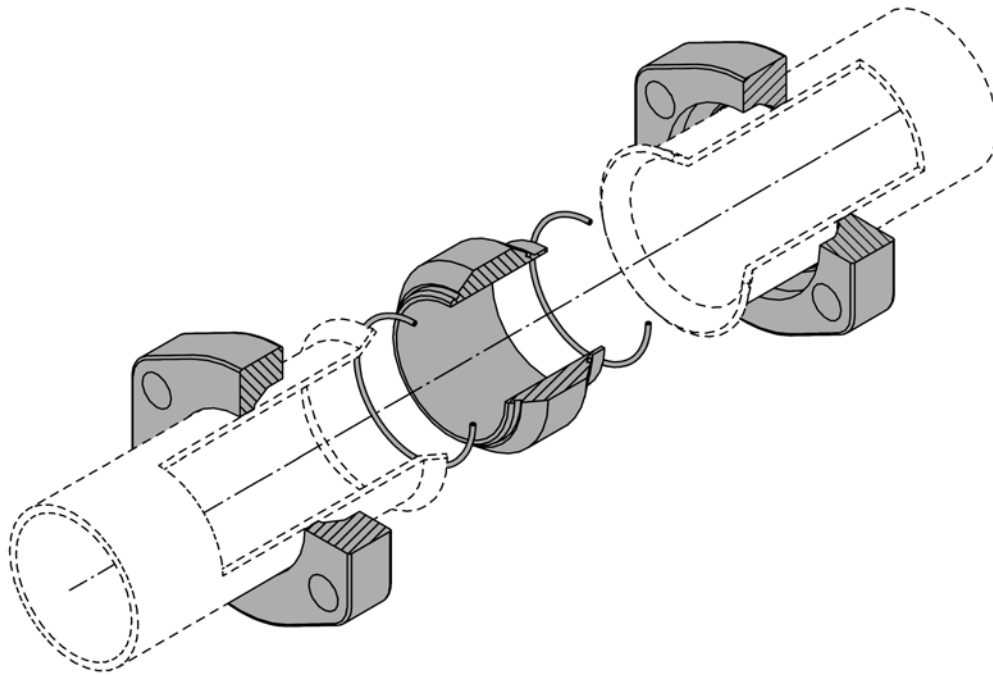


Metric

Size	Pipe Size	Complete Part No	Complete ID Code	Weight (kg)	Insert Part No	O-Ring2 Part No	Sleeve Part No
1/2"	16x2.0	608/16X2.0FD	14015213	0.32	08/16X2.0FD	OR12x1.0	08/16F
1/2"	18x2.0	608/18X2.0FD	14015218	0.33	08/18X2.0FD	OR14x1.0	08/18F
1/2"	20x2.0	608/20X2.0FD	14015223	0.31	08/20X2.0FD	OR16x1.0	08/20F
1/2"	25x2.5	608/25X2.5FD	1401522440	0.30	08/25X2.5FD	OR20x1.0	None
1/2"	25x3.0	608/25X3.0FD	14015228	0.29	08/25X3.0FD	OR20x1.0	None
3/4"	20x2.0	612/20X2.0FD	1401523701	0.62	12/20X2.0FD	OR16x1.0	12/20F
3/4"	20x2.5	612/20X2.5FD	14015239	0.63	12/20X2.5FD	OR15x1.0	12/20F
3/4"	25x2.5	612/25X2.5FD	14015243	0.58	12/25X2.5FD	OR20x1.0	12/25F
3/4"	25x3.0	612/25X3.0FD	14015248	0.58	12/25X3.0FD	OR20x1.0	12/25F
3/4"	30x3.0	612/30X3.0FD	14015253	0.57	12/30X3.0FD	OR23x1.0	None
3/4"	30x4.0	612/30X4.0FD	14015253	0.56	12/30X4.0FD	OR22x1.0	None
1"	25x2.5	616/25X2.5FD	14015263	0.81	16/25X2.5FD	OR20x1.0	16/25F
1"	25x3.0	616/25X3.0FD	1401526440	0.80	16/25X3.0FD	OR02x1.0	16/25F
1"	30x3.0	616/30X3.0FD	14015268	0.75	16/30X3.0FD	OR23x1.0	16/30F
1"	30x4.0	616/30X4.0FD	14015273	0.76	16/30X4.0FD	OR22x1.0	16/30F
1"	38x4.0	616/38X4.0FD	14015278	0.70	16/38X4.0FD	OR30x1.0	None
1 1/4"	30x3.0	620/30X3.0FD	14015288	1.24	20/30X3.0FD	OR23x1.0	20/30F
1 1/4"	30x4.0	620/30X4.0FD	1401528916	1.23	20/30X4.0FD	OR22x1.0	20/30F
1 1/4"	38x4.0	620/38X4.0FD	14015294	1.15	20/38X4.0FD	OR30x1.0	20/38F
1 1/4"	38x5.0	620/38X5.0FD	14015298	1.14	20/38X5.0FD	OR28x1.0	20/38F
1 1/4"	42x4.0	620/42X4.0FD	14015303	1.13	20/42X4.0FD	OR34x1.0	None
1 1/2"	30x3.0	624/30X3.0FD	14015309	1.44	24/30X3.0FD	OR23x1.0	24/30F
1 1/2"	38x4.0	624/38X4.0FD	14015313	2.03	24/38X4.0FD	OR30x1.0	24/38F
1 1/2"	38x5.0	624/38X5.0FD	1401531416	1.92	24/38X5.0FD	OR28x1.0	None
1 1/2"	42x4.0	624/42X4.0FD	14015318	1.95	24/42X4.0FD	OR34x1.0	24/42F
1 1/2"	50x5.0	624/50X5.0FD	14015323	1.79	24/50X5.0FD	OR41x1.78	None
2"	50x5.0	632/50X5.0FD	14015333	2.97	32/50X5.0FD	OR41x1.78	32/50F
2"	60x5.0	632/60X5.0FD	14015338	2.76	32/60X5.0FD	OR50.52x1.78	None
2"	60x6.0	632/60X6.0FD	14015343	2.76	32/60X6.0FD	OR47.37x1.78	None

Part code does not include bolts
Material possibilities page 17

Flanges page 102
Insert cones page 129
Sleeves page 138
O-Rings page 136



ANSI 36.19

Size	Pipe Size	Complete Part No	Complete ID Code	Weight (kg)	Insert	O-Ring2
1/2"	21.3X3.7	608/21.3X3.7FD	14017616	0.3	08/21.3X3.7FD	OR14x1.0
1/2"	21.3X4.8	608/21.3X4.8FD	14017626	0.3	08/21.3X4.8FD	OR12x1.0
1/2"	19.05X2.11	608/19.05X2.11FD	14017636	0.3	08/19.05X2.11FD	OR14x1.0
1/2"	19.05X2.41	608/19.05X2.41FD	14017646	0.3	08/19.05X2.41FD	OR14x1.0
1/2"	19.05X2.77	608/19.05X2.77FD	14017656	0.3	08/19.05X2.77FD	OR14x1.0
3/4"	26.7X3.9	612/26.7X3.9FD	14017666	0.6	12/26.7X3.9FD	OR20x1.0
3/4"	26.7X5.6	612/26.7X5.6FD	14017676	0.6	12/26.7X5.6FD	OR16x1.0
3/4"	25.4X2.11	612/25.4X2.11FD	14017686	0.6	12/25.4X2.11FD	OR20X1.0
3/4"	25.4X2.77	612/25.4X2.77FD	14017696	0.6	12/25.4X2.77FD	OR20X1.0
3/4"	25.4X3.05	612/25.4X3.05FD	14017706	0.6	12/25.4X3.05FD	OR20X1.0
1"	33.4X3.4	616/33.4X3.4FD	14017716	0.8	16/33.4X3.4FD	OR28x1.0
1"	33.4X4.6	616/33.4X4.6FD	14017726	0.8	16/33.4X4.6FD	OR23x1.0
1"	33.4X6.4	616/33.4X6.4FD	14017736	0.8	16/33.4X6.4FD	OR21x1.0
1"	31.75X2.77	616/31.75X2.77FD	14017746	0.8	16/31.75X2.77FD	OR25X1.0
1"	31.75X3.05	616/31.75X3.05FD	14017756	0.8	16/31.75X3.05FD	OR25X1.0
1"	31.75X3.40	616/31.75X3.40FD	14017766	0.8	16/31.75X3.40FD	OR23X1.0
1 1/4"	38.1X3.40	620/38.1X3.40FD	14017776	1.2	20/38.1X3.40FD	OR30X1.0
1 1/4"	38.1X3.96	620/38.1X3.96FD	14017786	1.2	20/38.1X3.96FD	OR30X1.0
1 1/4"	38.1X4.78	620/38.1X4.78FD	14017796	1.2	20/38.1X4.78FD	OR28X1.0
1 1/4"	42.2X3.6	620/42.2X3.6FD	14017806	1.2	20/42.2X3.6FD	OR34X1.0
1 1/4"	42.2X4.9	620/42.2X4.9FD	14017816	1.2	20/42.2X4.9FD	OR32x1.0
1 1/4"	42.2X6.4	620/42.2X6.4FD	14017826	1.2	20/42.2X6.4FD	OR30x1.0
1 1/2"	50.8X3.96	624/50.8X3.96FD	14017836	1.9	24/50.8X3.96FD	OR41X1.78
1 1/2"	50.8X4.78	624/50.8X4.78FD	14017846	1.9	24/50.8X4.78FD	OR41x1.78
1 1/2"	48.3X3.7	624/48.3X3.7FD	14017856	1.9	24/48.3X3.7FD	OR41x1.78
1 1/2"	48.3X5.1	624/48.3X5.1FD	14017866	1.9	24/48.3X5.1FD	OR37.82x1.78
2"	60.3X3.9	632/60.3X3.9FD	14017876	2.7	32/60.3X3.9FD	OR53.70x1.78
2"	60.3X5.5	632/60.3X5.5FD	14017886	2.7	32/60.3X5.5FD	OR50.52x1.78

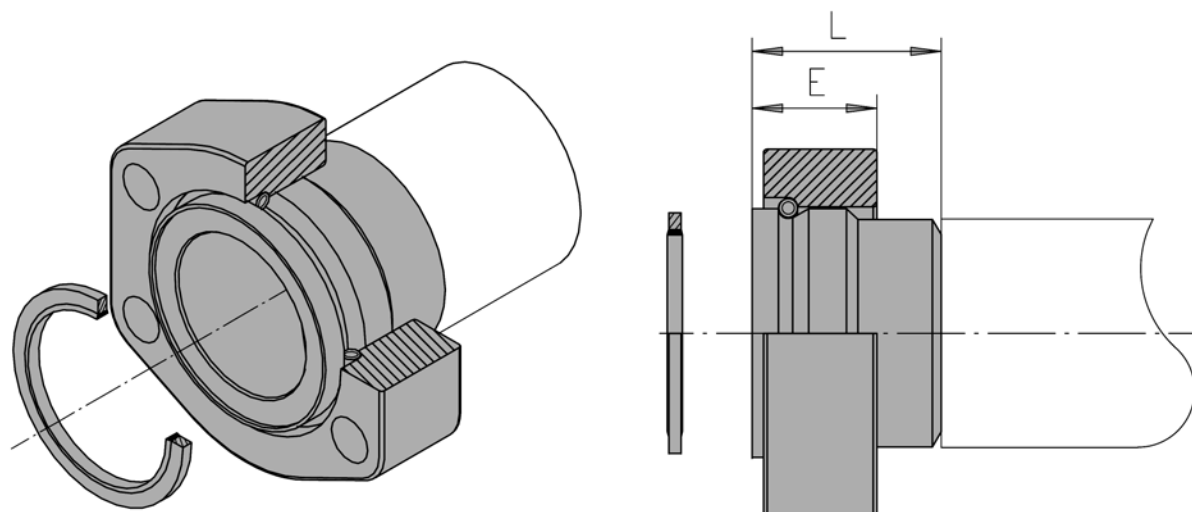
Part code does not include bolts
Material possibilities page 17

Flanges page 102
Insert cones page 130
O-Rings page 137

SAE 6000 PSI

Flange for Welding (1/2" – 1")

SAE J518 Code 62



Metric

Size	Complete Part Code	Complete ID Code	Pipe Size	L	E	Weight (kg)	Body Part No	Body ID Code
1/2"	608001	13015476	12.0x1.5	40	23	0.29	08001	13010001
1/2"	608002	13015479	16.0x2.0	40	23	0.27	08002	13010007
1/2"	608003	13015482	18.0x2.0	40	23	0.28	08003	13010013
1/2"	608004	13015485	20.0x2.5	40	23	0.29	08004	13010019
1/2"	608005	13015489	25.0x2.5	40	23	0.29	08005	13010025
1/2"	608009	13015497	21.3x3.7	40	23	0.29	08009	16010031
1/2"	608011	13015503	26.0x6.0	45	23	0.32	08011	13010037
1/2"	608082	13015505	21.3x2.1	40	23	0.27	08082	13010048
1/2"	608083	13015506	21.3x2.8	40	23	0.27	08083	13010049
1/2"	608085	13015509	21.3x4.8	40	23	0.27	08085	13010055
1/2"	608086	13015511	21.3x7.5	45	23	0.30	08086	13010061
3/4"	612001	13015518	20.0x2.5	40	28	0.54	12001	13010067
3/4"	612002	13015521	25.0x3.0	40	28	0.53	12002	13010068
3/4"	612003	13015524	30.0x4.0	40	28	0.54	12003	13010079
3/4"	612004	13015527	30.0x6.0	40	28	0.56	12004	13010091
3/4"	612005	13015533	30.0x3.0	40	28	0.53	12005	13010092
3/4"	612009	13015539	26.7x3.9	40	28	0.54	12009	13010007
3/4"	612011	13015545	36.0x8.0	45	28	0.60	12011	13010088
3/4"	612082	13015548	26.7x2.1	40	28	0.48	12082	13010108
3/4"	612083	13015550	26.7x2.8	40	28	0.48	12083	13010113
3/4"	612085	13015552	26.7x5.6	40	28	0.51	12085	13010119
3/4"	612086	13015554	26.7x7.8	45	28	0.55	12086	13010125
1"	616001	13015560	25.0x3.0	40	27	0.75	16001	13010161
1"	616002	13015563	30.0x4.0	40	27	0.74	16002	13010167
1"	616003	13015566	38.0x5.0	40	27	0.77	16003	13010173
1"	616004	13015569	38.0x7.0	40	27	0.77	16004	13010179
1"	616005	13015572	38.0x4.0	40	27	0.76	16005	13010185
1"	616009	13015581	33.4x4.6	40	27	0.75	16009	13010191
1"	616011	13015587	39.0x7.5	50	27	0.82	16011	13010197
1"	616082	13015593	33.4x2.8	40	27	0.62	16082	13010215
1"	616083	13015594	33.4x3.4	40	27	0.65	16083	13010221
1"	616085	13015596	33.4x6.4	50	27	0.70	16085	13010227
1"	616086	13015598	33.4x9.1	50	27	0.71	16086	13010233

Body material: St 52

Other materials by request, for example Stainless Steel, SMO, Duplex, Titanium and Superduplex.

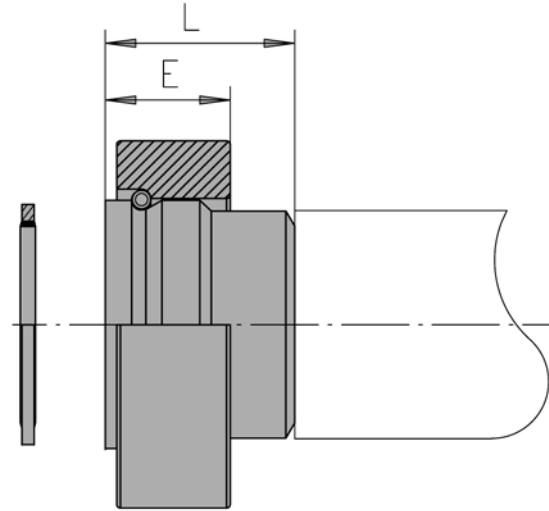
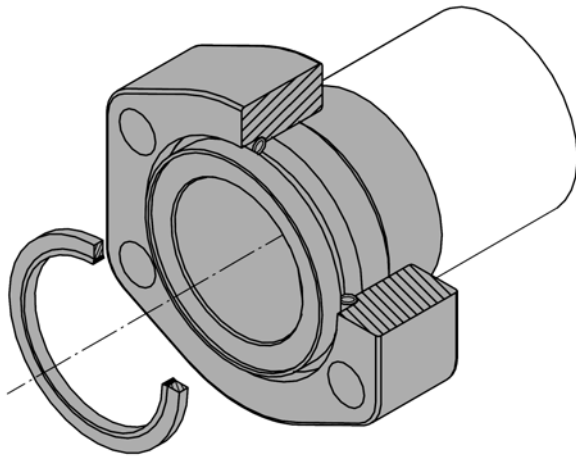
Part code does not include bolts

Material possibilities page 18

Flanges page 101
Retain Rings page 133
Bonded Seals page 134

SAE J518 Code 62

Flange for Welding (1 1/4" – 2")

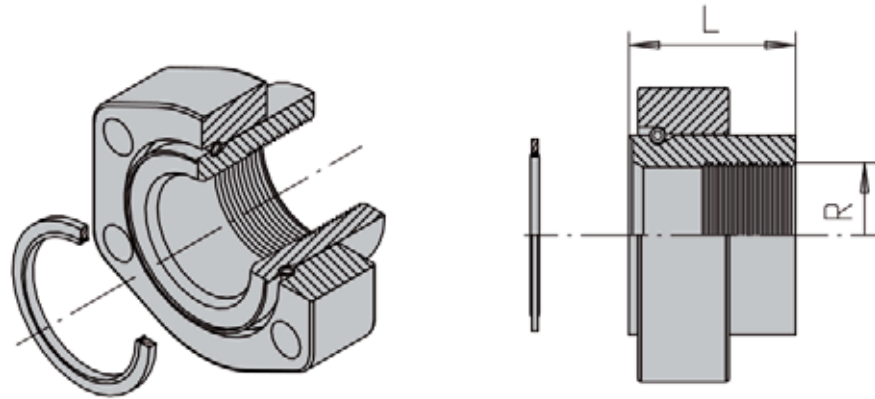


Metric

Size	Complete Part Code	Complete ID Code	Pipe Size	L	E	Weight (kg)	Body Part No	Body ID Code
1 1/4"	620001	13015602	30.0x4.0	40	33	1.10	20001	13010251
1 1/4"	620002	13015605	38.0x5.0	40	33	1.07	20002	13010257
1 1/4"	620003	13015608	42.0x6.0	40	33	1.07	20003	13010263
1 1/4"	620004	13015611	46.0x7.0	50	33	1.07	20004	13010269
1 1/4"	620005	13015614	42.0x4.0	40	33	1.05	20005	13010275
1 1/4"	620009	13015623	42.2x4.9	40	33	1.06	20009	13010281
1 1/4"	620011	13015629	46.0x8.0	40	33	1.19	20011	13010287
1 1/4"	620082	13015634	42.2x2.7	40	33	1.01	20082	13010305
1 1/4"	620083	13015636	42.2x3.6	40	33	1.06	20083	13010311
1 1/4"	620085	13015639	42.2x6.4	50	33	1.12	20085	13010317
1 1/4"	620086	13015641	42.2x9.7	50	23	0.80	20086	13010329
1 1/2"	624001	13015644	38.0x5.0	45	38	1.81	24001	13010341
1 1/2"	624002	13015647	50.0x6.0	45	38	1.74	24002	13010347
1 1/2"	624003	13015650	50.0x9.0	45	38	1.83	24003	13010353
1 1/2"	624005	13015656	50.0x5.0	45	38	1.73	24005	13010359
1 1/2"	624009	13015668	48.3x5.1	45	38	1.72	24009	13010365
1 1/2"	624011	13015674	56.0x8.5	60	38	1.91	24011	13010371
1 1/2"	624082	13015679	48.3x2.8	45	38	1.33	24082	13010383
1 1/2"	624083	13015681	48.3x3.7	45	38	1.34	24083	13010395
1 1/2"	624085	13015683	48.3x7.1	60	38	1.45	24085	13010401
1 1/2"	624086	13015685	48.3x10.2	60	38	1.47	24086	13010407
2"	632001	13015689	50.0x9.0	50	43	2.91	32001	13010419
2"	632002	13015692	60.0x6.0	50	43	2.72	32002	13010425
2"	632003	13015695	60.0x8.0	50	43	2.82	32003	13010431
2"	632005	13015701	60.0x5.0	50	43	2.71	32005	13010443
2"	632008	13015710	48.3x5.6	50	43	2.83	32008	13010449
2"	632009	13015713	60.0x10.0	50	43	2.89	32009	13010455
2"	632011	13015719	66.0x8.5	75	43	3.07	32011	13010467
2"	632082	13015723	60.3x2.8	50	43	2.58	32082	13010488
2"	632083	13015724	60.3x3.9	50	43	2.63	32083	13010456
2"	632084	13015725	60.3x5.5	50	43	2.63	32084	13010462
2"	632085	13015726	60.3x8.7	75	43	2.81	32085	13010468
2"	632086	13015727	60.3x11.1	75	43	2.85	32086	13010474

Body material: St 52
 Other materials by request, for example Stainless Steel, SMO, Duplex, Titanium and Superduplex.
 Part code does not include bolts
 Material possibilities page 18

Flanges page 101
 Retain Rings page 133
 Bonded Seals page 134

SAE 6000 PSI**Female Thread Flange (BSP)****SAE J518 Code 62****Metric**

Size	Complete Part No	Complete ID Code	L	R	Weight (kg)	Body Part No	Body ID Code
1/2"	608013	13075070	35	1/4"	0,31	08013	13070001
3/4"	612013	13075080	40	1/2"	0,6	12013	13070010
1"	616013	13075090	40	3/4"	0,68	16013	13070060
1 1/4"	620013	13072100	42	1"	1,16	20013	13070070
1 1/2"	624013	13075110	45	1 1/4"	1,84	24013	13070080
2"	632013	13075120	55	1 1/2"	2,93	32013	13070090

ANSI 36.19

Size	Complete Part No	Complete ID Code	L	R	Weight (kg)	Body Part No	Body ID Code
1/2"	608013/21.3	13077108	35	1/4"NPT	0.3	08013/21.3	13076008
3/4"	612013/26.7	13077112	40	1/2"NPT	0.7	12013/26.7	13076012
1"	616013/33.4	13077116	40	3/4"NPT	0.9	16013/33.4	13076016
1 1/4"	620013/42.2	13077120	42	1"NPT	1.3	20013/42.2	13076020
1 1/2"	624013/48.3	13077124	45	1 1/4"NPT	2.0	24013/48.3	13076024
2"	632013/60.3	13077132	55	1 1/2"NPT	3.0	32013/60.3	13076032

Body material: St 52

Other materials by request, for example Stainless Steel, SMO, Duplex, Titanium and Superduplex.

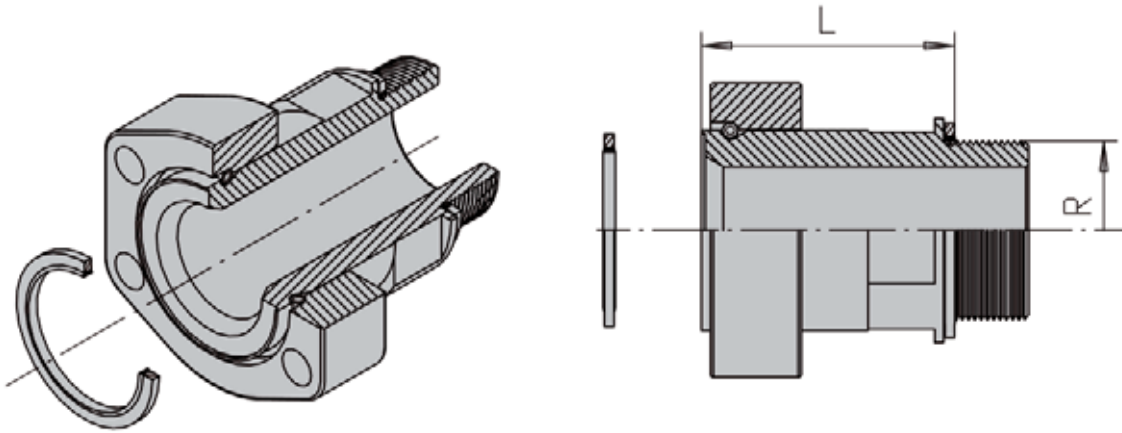
Part code does not include bolts

Material possibilities page 18

Flanges page 101

Retain Rings page 133

Bonded Seals page 134



Metric

Size	Complete Part No	Complete ID Code	L	R	Bonded Seal 2	A/F	Weight (kg)	Body Part No	Body ID Code
1/2"	608014	13055200	50.3	1/2"	1225SC	27	0.35	08014	13050001
1/2"	608014-R1/4	13055202	58.3	1/4"	0821SC	27	0.37	08014-R1/4	13050004
3/4"	612014	13055204	61.3	3/4"	1629SC	32	0.60	12014	13050020
3/4"	612014-R1/2	13055206	61.3	1/2"	1225SC	32	0.62	12014-R1/2	13050022
1"	616014	13055220	65.2	1"	2030SC	41	0.78	16014	13050040
1"	616014-R3/4	13055222	64.3	3/4"	1629SC	32	0.80	16014-R3/4	13050043
1 1/4"	620014	13055240	68.2	1 1/4"	2432SC	46	1.08	20014	13050060
1 1/4"	620014-R1	13055242	68.2	1"	2030SC	41	1.16	20014-R1	13050062
1 1/2"	624014	13055260	78.2	1 1/2"	2433SC	50	1.71	24014	13050100
1 1/2"	624014-R11/4	13055262	78.2	1 1/4"	2432SC	46	1.80	24014-R11/4	13050103
2"	632014	13055280	83.2	2"	3236SC	65	2.55	32014	13050140
2"	632014-R11/2	13055282	83.2	1 1/2"	2433SC	50	2.71	32014-R11/2	13050142

ANSI 36.19

Size	Complete Part No	Complete ID Code	L	R	Bonded Seal 2	A/F	Weight (kg)	Body Part No	Body ID Code
1/2"	608014/21.3	13057308	50.3	1/2"	1225SC	27	0.6	08014/21.3	13056208
3/4"	612014/26.7	13057312	61.3	3/4"	1629SC	32	0.8	12014/26.7	13056212
1"	616014/33.4	13057316	65.2	1"	2030SC	41	1.0	16014/33.4	13056216
1 1/4"	620014/42.2	13057320	68.2	1 1/4"	2432SC	46	1.6	20014/42.2	13056220
1 1/2"	624014/48.3	13057324	78.2	1 1/2"	2433SC	50	2.5	24014/48.3	13056224
2"	632014/60.3	13057332	83.2	2"	3236SC	65	3.8	32014/60.3	13056232

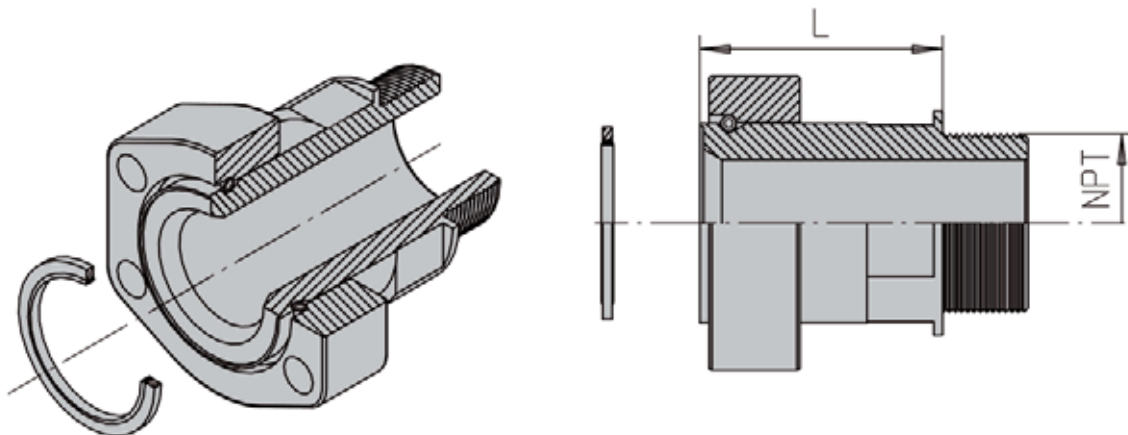
Body material: St 52
 Other materials by request, for example Stainless Steel, SMO, Duplex, Titanium and Superduplex.
 Part code does not include bolts
 Material possibilities page 18

Flanges page 101
 Retain Rings page 133
 Bonded Seals page 134

SAE 6000 PSI

Male Thread Flange (NPT)

SAE J518 Code 62



Metric

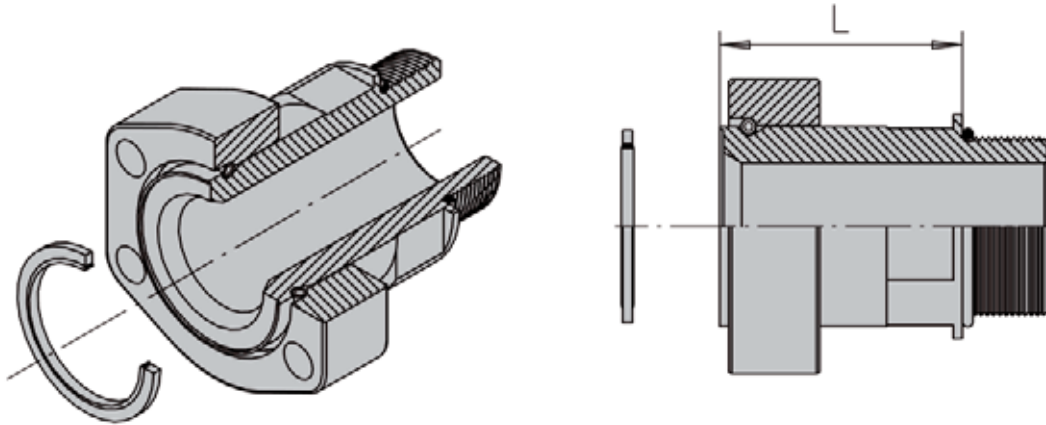
Size	Complete Part No	Complete ID Code	L	NPT	Weight (kg)	Body Part No	Body ID Code
1/2"	608114	13055203	50	1/2"	0.5	08114	13050010
3/4"	612114	13055208	63	3/4"	0.7	12114	13050024
1"	616114	13055226	63	1"	0.9	16114	13050046
1 1/4"	620114	13055246	67	1 1/4"	1.4	20114	13050080
1 1/2"	624114	13055264	75	1 1/2"	2.3	24114	13050120
2"	632114	13055286	80	2"	3.6	32114	13050148

ANSI 36.19

Size	Complete Part No	Complete ID Code	L	NPT	Weight (kg)	Body Part No	Body ID Code
1/2"	608114/21.3	13057508	50	1/2"	0.6	08114/21.3	13056408
3/4"	612114/26.7	13057512	63	3/4"	0.8	12114/26.7	13056412
1"	616114/33.4	13057516	63	1"	1.0	16114/33.4	13056416
1 1/4"	620114/42.2	13057520	67	1 1/4"	1.6	20114/42.2	13056420
1 1/2"	624114/48.3	13057524	75	1 1/2"	2.5	24114/48.3	13056424
2"	632114/60.3	13057532	80	2"	3.8	32114/60.3	13056432

Body material: St 52
 Other materials by request, for example Stainless Steel, SMO, Duplex, Titanium and Superduplex.
 Part code does not include bolts
 Material possibilities page 18

Flanges page 101
 Retain Rings page 133
 Bonded Seals page 134



Metric

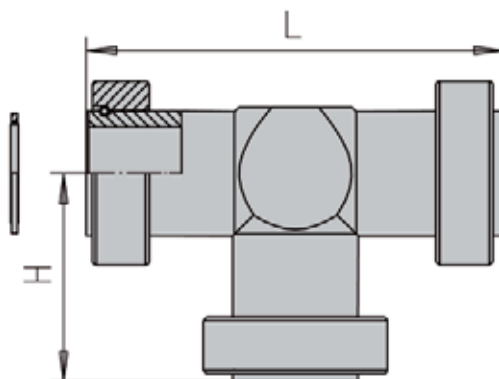
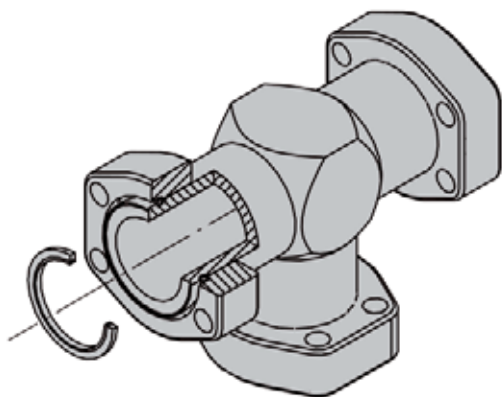
Size	Complete Part No	Complete ID Code	L	SAE (UNF)	Weight (kg)	Body Part No	Body ID Code
1/2"	608214	1305520310	50.3	3/4-16	0.5	08214	13050013
3/4"	612214	13055210	61.3	1 1/16-12	0.7	12214	13050029
1"	616214	13055230	65.2	1 5/16-12	0.9	16214	13050055
1 1/4"	620214	13055250	68.2	1 5/8-12	1.4	20214	13050090
1 1/2"	624214	13055270	78.2	1 7/8-12	2.3	24214	13050122
2"	632214	13055290	83.2	2 1/2-12	3.6	32214	13050155

ANSI 36.19

Size	Complete Part No	Complete ID Code	L	SAE (UNF)	Weight (kg)	Body Part No	Body ID Code
1/2"	608214/21.3	13057708	50.3	3/4-16	0.6	08214/21.3	13056608
3/4"	612214/26.7	13057712	61.3	1 1/16-12	0.8	12214/26.7	13056612
1"	616214/33.4	13057716	65.2	1 5/16-12	1.0	16214/33.4	13056616
1 1/4"	620214/42.2	13057720	68.2	1 5/8-12	1.6	20214/42.2	13056620
1 1/2"	624214/48.3	13057724	78.2	1 7/8-12	2.5	24214/48.3	13056624
2"	632214/60.3	13057732	83.2	2 1/2-12	3.8	32214/60.3	13056632

Body material: St 52
 Other materials by request, for example Stainless Steel, SMO, Duplex, Titanium and Superduplex.
 Part code does not include bolts
 Material possibilities page 18

Flanges page 101
 Retain Rings page 133
 Bonded Seals page 134



Metric

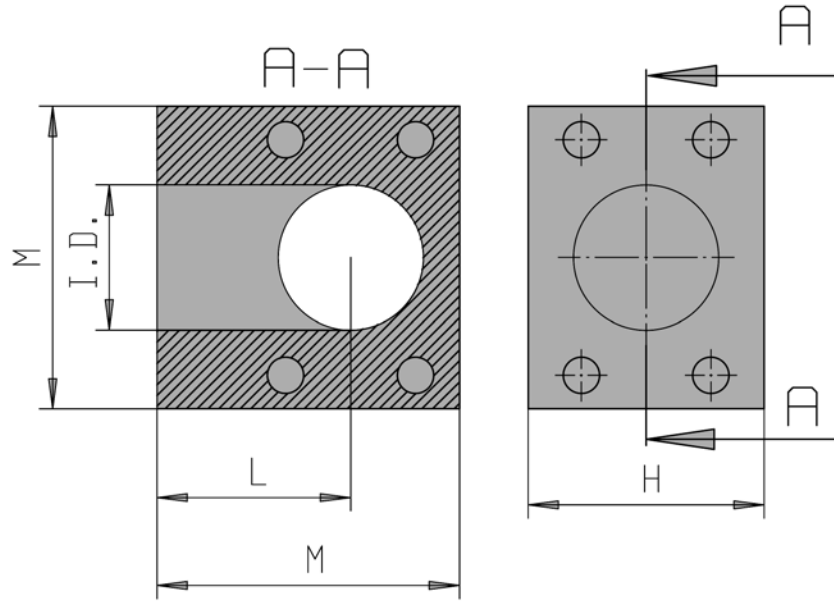
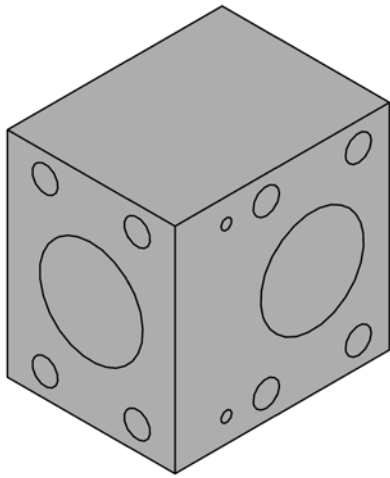
Size	Complete Part No	Complete ID Code	L	H	Weight (kg)	Body Part No	Body ID Code
1/2"	608016	17012240	120	60	1.10	08016	17010001
3/4"	612016	17012260	130	65	1.68	12016	17010020
3/4" - 1/2"	612/608/612016	17012262	130	65	1.68	12/08/12016	17010022
1"	616016	17012280	140	70	2.13	16016	17010040
1" - 3/4"	616/612/616016	17012284	140	65	2.00	16/12/16016	17010044
1" - 1/2"	616/608/616016	17012282	140	65	1.66	16/08/16016	17010042
1 1/4"	620016	17012300	160	80	2.87	20016	17010060
1 1/4" - 1"	620/616/620016	17012306	160	75	2.83	20/16/20016	17010066
1 1/4" - 3/4"	620/612/620016	17012304	160	70	2.44	20/12/20016	17010064
1 1/2"	624016	17012320	180	90	4.75	24016	17010080
1 1/2" - 1 1/4"	624/620/624016	17012326	180	85	3.86	24/20/24016	17010086
1 1/2" - 1"	624/616/624016	17012324	180	80	3.60	24/16/24016	17010084
2"	632016	17012340	220	110	7.05	32016	17010100
2" - 1 1/2"	632/624/632016	17012346	220	95	6.63	32/24/32016	17010108
2" - 1 1/4"	632/620/632016	17012344	220	90	5.31	32/20/32016	17010106

ANSI 36.19

Size	Complete Part No	Complete ID Code	L	H	Weight (kg)	Body Part No	Body ID Code
1/2"	608016/21.3	17013608	120	60	1.0	08016/21.3	17010508
3/4"	612016/26.7	17013612	130	65	2.0	12016/26.7	17010512
1"	616016/33.4	17013616	140	70	2.7	16016/33.4	17010516
1 1/4"	620016/42.2	17013620	160	80	3.7	20016/42.2	17010520
1 1/2"	624016/48.3	17013624	180	90	5.7	24016/48.3	17010524
2"	632016/60.3	17013632	220	110	8.7	32016/60.3	17010532

Body material: Forged St 50.2 or St 52
 Other materials by request, for example Stainless Steel, SMO, Duplex, Titanium and Superduplex.
 Part code does not include bolts and seals
 Material possibilities page 18

Flanges page 101
 Retain Rings page 133
 Bonded Seals page 134



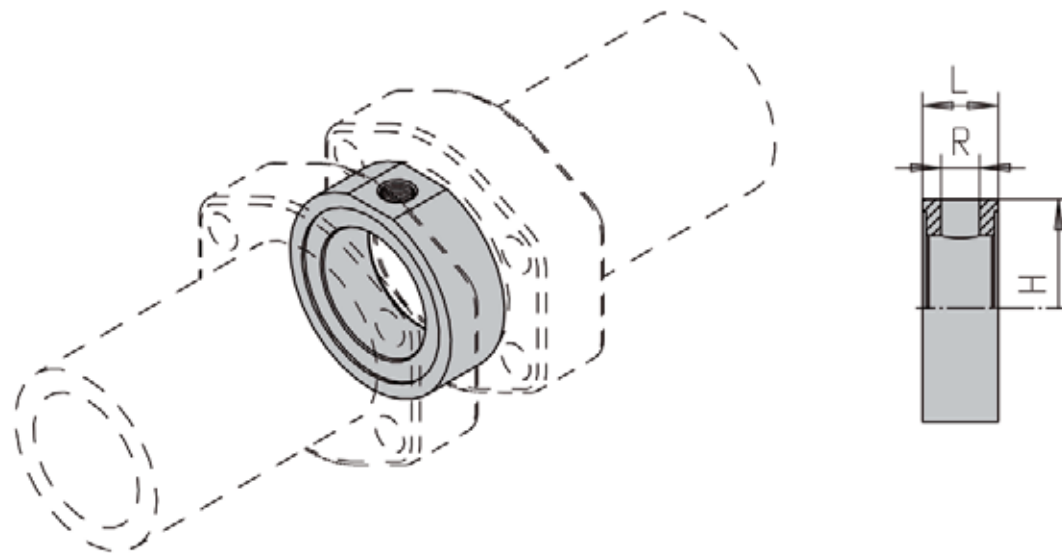
Metric

Size	Part No	ID Code	H	L	M	I.D.	Weight (kg)
1/2"	608116	17020200	40	36	56	13	0.81
3/4"	612116	17020220	48	49	70	20	1.14
3/4" - 1/2"	612/608/612116	17020222	48	49	70		1.53
1"	616116	17020240	48	55	80	23	1.81
1" - 3/4"	616/612/616116	17020244	48	55	80		1.91
1" - 1/2"	616/608/616116	17020242	48	55	80		2.06
1 1/4"	620116	17020260	58	63	90	30	2.65
1 1/4" - 1"	620/616/620116	17020266	58	63	90		2.79
1 1/4" - 3/4"	620/612/620116	17020264	58	63	90		2.92
1 1/2"	624116	17020280	68	68	100	38	3.62
1 1/2" - 1 1/4"	624/620/624116	17020286	68	68	100		3.85
1 1/2" - 1"	624/616/624116	17020284	68	68	100		4.01
2"	632116	17020300	88	90	130	48	8.05
2" - 1 1/2"	632/624/632116	17020310	88	90	130		8.68
2" - 1 1/4"	632/620/632116	17020308	88	90	130		9.03

ANSI 36.19

Size	Part No	ID Code	H	L	M	I.D.	Weight (kg)
1/2"	608116/21.3	17020708	40	36	56	6.3	1.2
3/4"	612116/26.7	17020712	48	49	73	11.1	1.3
1"	616116/33.4	17020716	48	55	77	15.2	2.1
1 1/4"	620116/42.2	17020720	58	63	121	22.8	2.5
1 1/2"	624116/48.3	17020724	68	68	102	27.9	3.9
2"	632116/60.3	17020732	88	90	134	38.1	7.1

Component material: St 52
 Other materials by request, for example Stainless Steel, SMO, Duplex, Titanium and Superduplex.
 Part number does not include bolts

**Metric**

Size	Part No	ID Code	H	L	R	Bolt length DIN912, 8.8	Weight (kg)
1/2"	08035	18010000	25	14.0	1/4"	M8x90	0.12
3/4"	12035	18010001	25	17.6	1/4"	M10x100	0.18
1"	16035	18010020	25	20.5	1/4"	M12x100	0.22
1 1/4"	20035	18010030	25	24.3	1/4"	M14x120	0.27
1 1/2"	24035	18010040	25	31.3	1/4"	M16x130	0.41
2"	32035	18010050	25	36.0	1/4"	M20x140	0.47
1 1/4"	20036	18010031	35	22.5	1/2"	M14x130	0.35
1 1/2"	24036	18010043	35	29.6	1/2"	M16x140	0.56
2"	32036	18010051	35	34.6	1/2"	M20x150	0.65

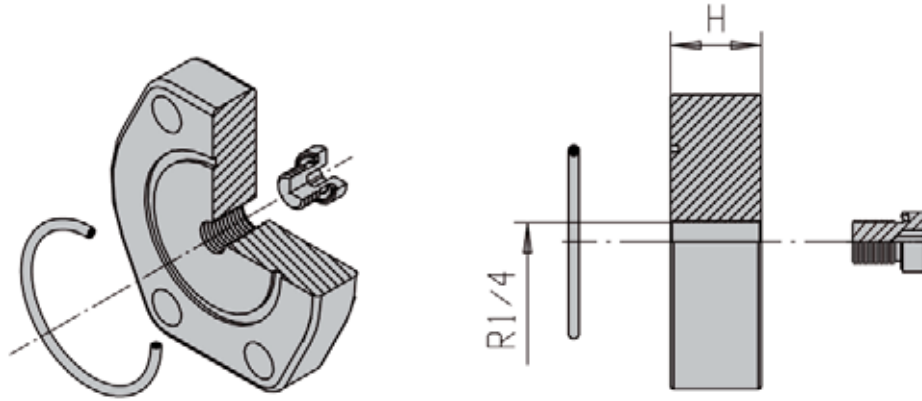
ANSI 36.19

Size	Part No	ID Code	H	L	NPT	Bolt length DIN912, 8.8	Weight (kg)
1/2"	08035/21.3	180100005	25	14	1/4"NPT	M8x90	0.10
3/4"	12035/26.7	180100006	25	18	1/4"NPT	M10x100	0.13
1"	16035/33.4	180100023	25	21	1/4"NPT	M12x100	0.21
1 1/4"	20036/42.2	180100036	35	24	1/2"NPT	M14x130	0.35
1 1/2"	24036/48.3	180100048	35	31	1/2"NPT	M16x140	0.60
2"	32036/60.3	180100053	35	36	1/2"NPT	M20x150	0.75

Component material: St 52

Other materials by request, for example Stainless Steel,
SMO, Duplex, Titanium and Superduplex.

Part number does not include bolts



TUBES & PIPES

CLAMPS

VALVES

BITE TYPE FITTINGS

SAE J514 JIC FLARE FITTINGS

HOSES & HOSE COUPLINGS

ADAPTORS

SPECIAL SOLUTIONS

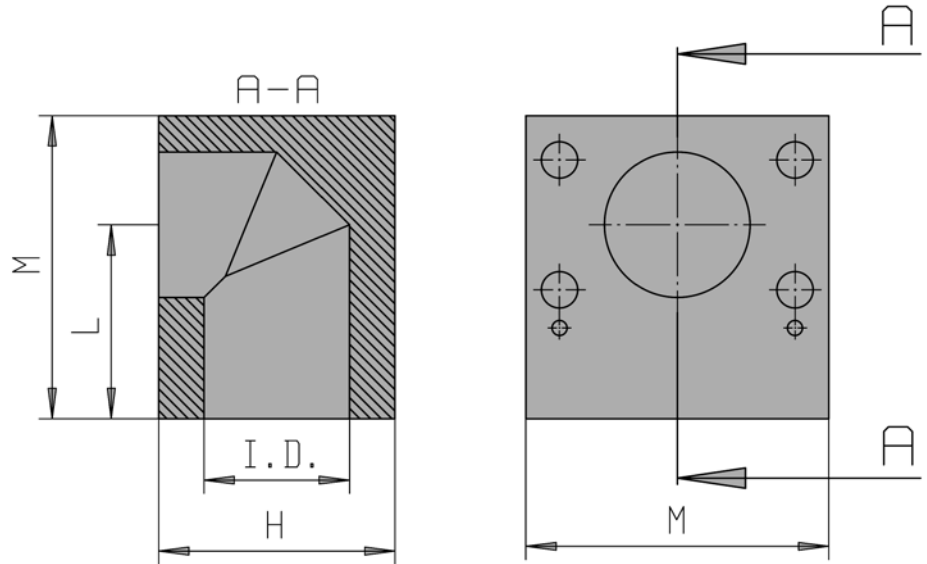
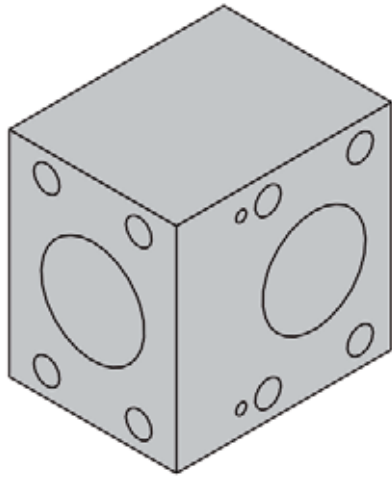
MACHINES

TECHNICAL INFORMATION

Metric

Size	Complete Part No	Complete ID Code	H	Weight (kg)
1/2"	608125	19055100	20	0.27
3/4"	612125	19055105	25	0.58
1"	616125	19055110	25	0.69
1 1/4"	620125	19055115	30	1.10
1 1/2"	624125	19055120	35	1.89
2"	632125	19055125	40	3.31

Component material: St 52
 Other materials by request, for example Stainless Steel, SMO, Duplex, Titanium and Superduplex.
 Part number does not include bolts and seal

**Metric**

Size	Part No	ID Code	H	L	M	I.D.	Weight (kg)
1/2"	608115	16030040	40	36	56	14	0.83
3/4"	612115	16030045	48	49	70	20	1.48
1"	616115	16030050	48	55	80	24	1.88
1 1/4"	620115	16030055	58	63	90	29	2.77
1 1/2"	624115	16030060	68	68	100	39	3.85
2"	632115	16030065	88	90	130	49	8.55

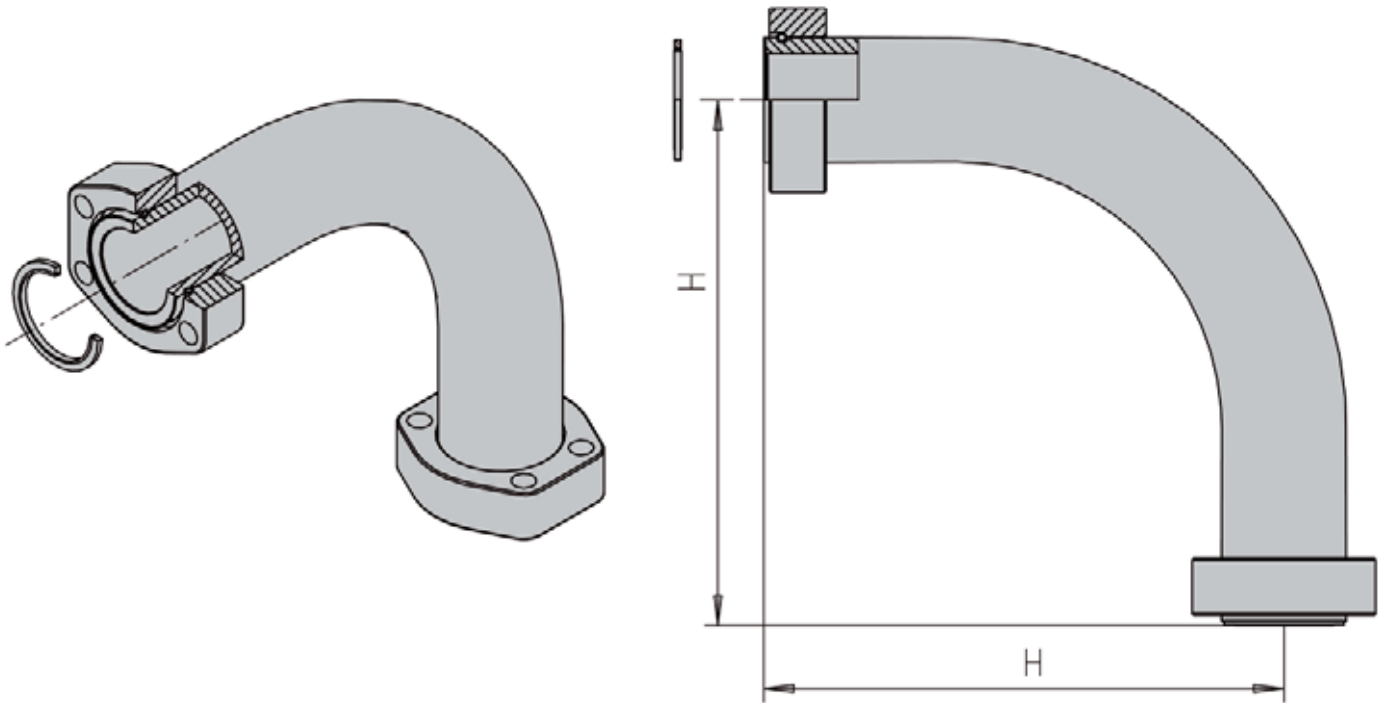
ANSI 36.19

Size	Part No	ID Code	H	L	M	I.D.	Weight (kg)
1/2"	608115/21.3	160302108	40	36	56	6.3	1.2
3/4"	612115/26.7	160302112	48	49	97	11.1	1.4
1"	616115/33.4	160302116	48	55	103	15.2	2.2
1 1/4"	620115/42.2	160302120	58	63	121	22.8	2.6
1 1/2"	624115/48.3	160302124	68	68	136	27.9	3.7
2"	632115/60.3	160302132	88	90	178	38.1	8.7

Component material: St 52

Other materials by request, for example Stainless Steel, SMO, Duplex, Titanium and Superduplex.

Part number does not include bolts



TUBES & PIPES

CLAMPS

VALVES

BITE TYPE FITTINGS

SAE J514 JIC FLARE FITTINGS

HOSES & HOSE COUPLINGS

ADAPTORS

SPECIAL SOLUTIONS

MACHINES

TECHNICAL INFORMATION

Metric

Size	Complete Part No	Complete ID Code	H	Bending Radius	Weight (kg)	Body Part No	Body ID Code
3/4"	612018	16022050	180	90	2.48	12018	16020001
1"	616018	16022055	180	98	2.92	16018	16020005
1 1/4"	620018	16022060	190	96	4.12	20018	16020010
1 1/2"	624018	16022065	240	116	6.90	24018	16020015
2"	632018	16022070	275	173	10.0	32018	16020020

ANSI 36.19

Size	Complete Part No	Complete ID Code	H	Bending Radius	Weight (kg)	Body Part No	Body ID Code
1/2"	608018/21.3	16024608	180	64	1.1	08018/21.3	16024008
3/4"	612018/26.7	16024612	180	80	2.4	12018/26.7	16024012
1"	616018/33.4	16024616	180	100	2.4	16018/33.4	16024016
1 1/4"	620018/42.2	16024620	190	127	3.3	20018/42.2	16024020
1 1/2"	624018/48.3	16024624	240	145	5.6	24018/48.3	16024024
2"	632018/60.3	16024632	275	181	7.8	32018/60.3	16024032

Body material: St 52

Other materials by request, for example Stainless Steel, SMO, Duplex, Titanium and Superduplex.

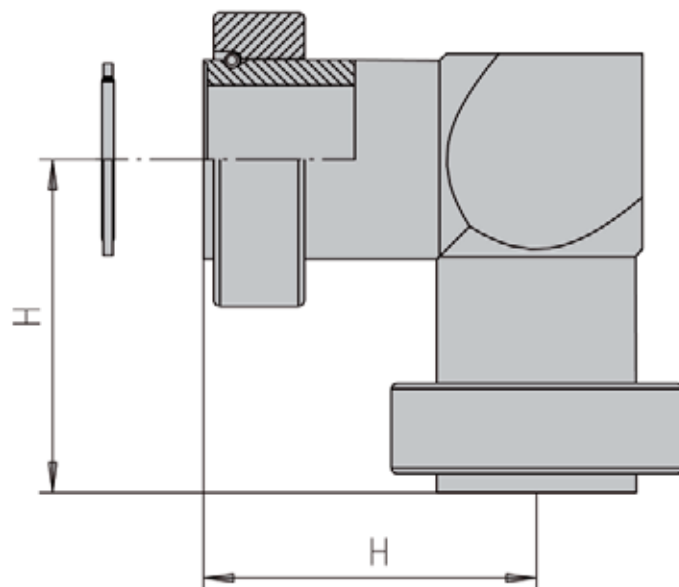
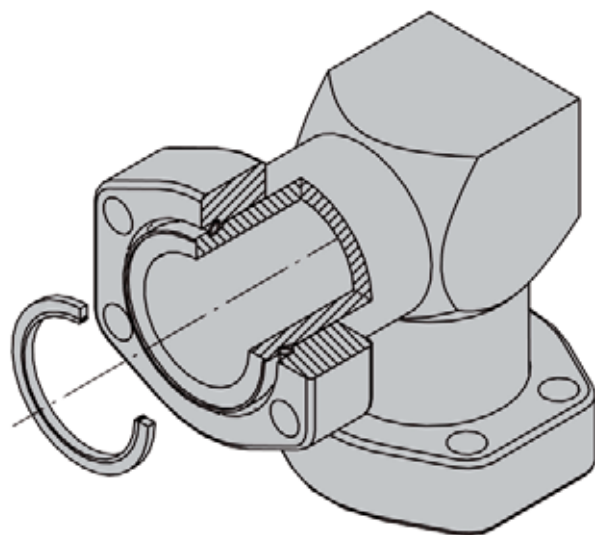
Part code does not include bolts and seals

Material possibilities page 18

Flanges page 101

Retain Rings page 133

Bonded Seals page 134



Metric

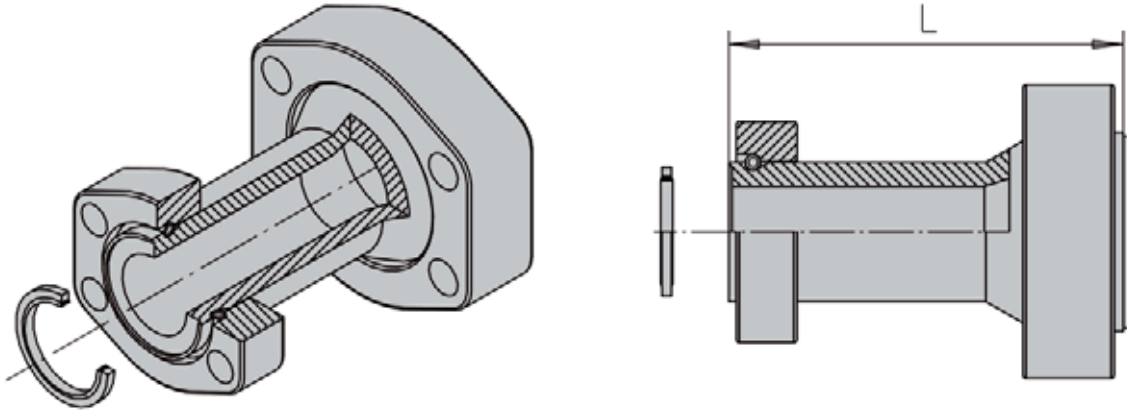
Size	Complete Part No	Complete ID Code	H	Weight (kg)	Body Part No	Body ID Code
1/2"	608015	16012055	60	0.86	08015	16010001
3/4"	612015	16012060	65	1.76	12015	16010005
1"	616015	16012065	70	2.23	16015	16010010
1 1/4"	620015	16012070	80	3.30	20015	16010015
1 1/2"	624015	16012075	90	5.08	24015	16010020
2"	632015	16012080	110	7.99	32015	16010025

ANSI 36.19

Size	Complete Part No	Complete ID Code	H	Weight (kg)	Body Part No	Body ID Code
1/2"	608015/21.3	16012608	60	0.7	08015/21.3	16024008
3/4"	612015/26.7	16012612	65	1.5	12015/26.7	16024012
1"	616015/33.4	16012616	70	1.5	16015/33.4	16024016
1 1/4"	620015/42.2	16012620	80	2.8	20015/42.2	16024020
1 1/2"	624015/48.3	16012624	90	4.0	24015/48.3	16024024

Body material: Forged St 50.2 or St 52
 Other materials by request, for example Stainless Steel, SMO, Duplex, Titanium and Superduplex.
 Part code does not include bolts and seals
 Material possibilities page 18

Flanges page 101
 Retain Rings page 133
 Bonded Seals page 134



Metric

Size	Complete Part No	Complete ID Code	L	Weight (kg)	Body Part No	Body ID Code
3/4"– 1/2"	RF612-608		65	0.86	12-08	15010005
1"– 3/4"	RF616-612	15015160	110	1.55	16-12	15010001
1"– 1/2"	RF616-608	15015158	110	1.12	16-08	15010009
1 1/4"– 1"	RF620-616	15015175	110	2.09	20-16	15010015
1 1/4"– 3/4"	RF620-612	15015170	110	1.87	20-12	15010010
1 1/2"– 1 1/4"	RF624-620	15015185	130	3.25	24-20	15010025
1 1/2"– 1"	RF624-616	15015180	110	2.76	24-16	15010020
2"– 1 1/2"	RF632-624	15015195	130	4.98	32-24	15010035
2"– 1 1/4"	RF632-620	15015190	130	4.19	32-20	15010030

ANSI 36.19

Size	Complete Part No	Complete ID Code	L	Weight (kg)	Body Part No	Body ID Code
3/4"– 1/2"	RF612/26.7-608/21.3	15017612	65	1.20	12/26.7-08/21.3	15017312
1"– 3/4"	RF616/33.4-612/26.7	15017616	110	1.30	16/33.4-12/26.7	15017316
1 1/4"– 1"	RF620/42.2-616/33.4	15017620	110	1.80	20/42.2-16/33.4	15017320
1 1/4"– 3/4"	RF620/42.2-612/26.7	150176205	110	1.60	20/42.2-12/26.7	150173205
1 1/2"– 1 1/4"	RF624/48.3-620/42.2	15017624	130	2.70	24/48.3-20/42.2	15017324
1 1/2"– 1"	RF624/48.3-616/33.4	150176245	110	2.10	24/48.3-16/33.4	150173245
2"– 1 1/2"	RF632/60.3-624/48.3	15017632	130	4.30	32/60.3-24/48.3	15017332
2"– 1 1/4"	RF632/60.3-620/42.2	150176325	130	3.80	32/60.3-20/42.2	150173325

Body material: St 52

Other materials by request, for example Stainless Steel, SMO, Duplex, Titanium and Superduplex.

Part code does not include bolts

Material possibilities page 18

Flanges page 101

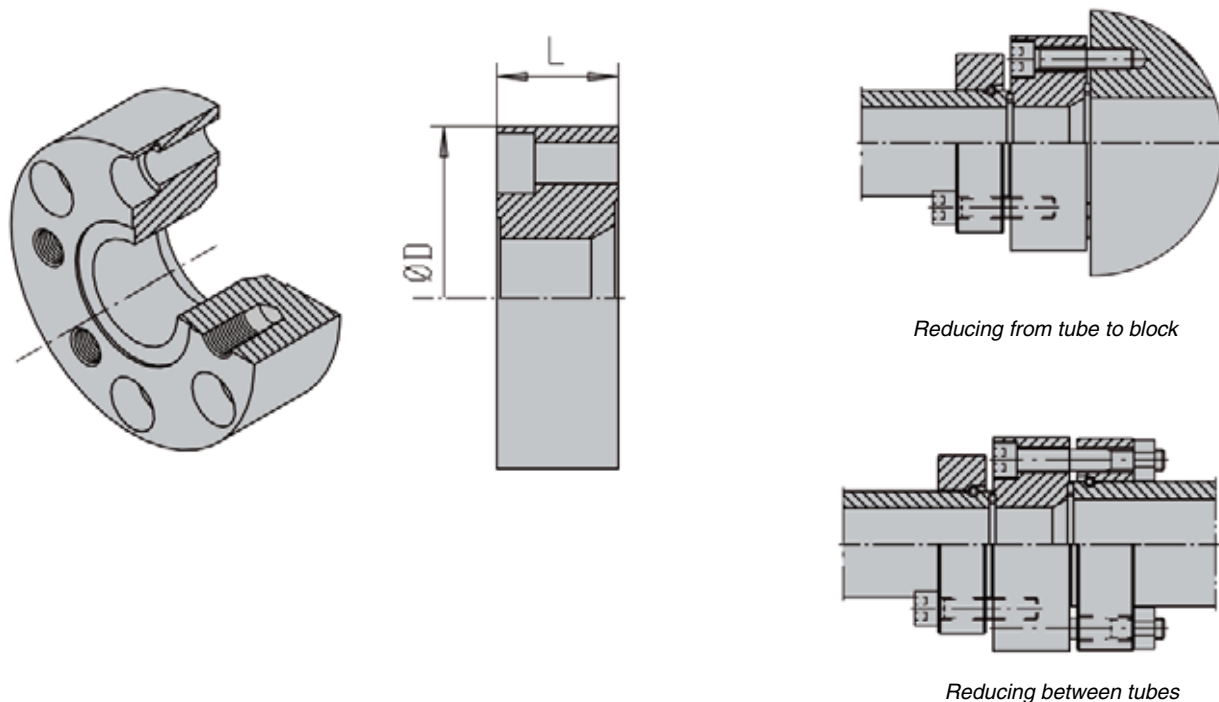
Retain Rings page 133

Bonded Seals page 134

SAE 6000 PSI

Reducer Block

SAE J518 Code 62



Metric

Size	Part No	ID Code	D	L	Weight (kg)
3/4" - 1/2"	RBE612-608	15021180	78	25	0.82
1" - 3/4"	RBE616-612	15021184	88	30	1.21
1" - 1/2"	RBE616-608	15021182	88	30	1.26
1 1/4" - 1"	RBE620-616	15021194	103	35	1.88
1 1/4" - 3/4"	RBE620-612	15021192	103	35	1.97
1 1/4" - 1/2"	RBE620-608	15021190	103	35	2.02
1 1/2" - 1 1/4"	RBE624-620	15021204	118	40	2.81
1 1/2" - 1"	RBE624-616	15021202	118	40	2.93
1 1/2" - 3/4"	RBE624-612	15021200	118	40	2.98
2" - 1 1/2"	RBE632-624	15021214	148	40	4.43
2" - 1 1/4"	RBE632-620	15021212	148	40	4.59
2" - 1"	RBE632-616	15021210	148	40	4.68

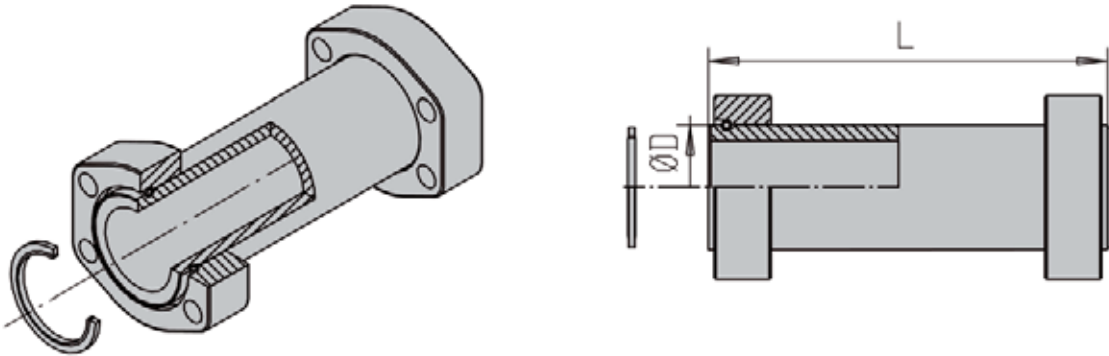
ANSI 36.19

Size	Part No	ID Code	D	L	Weight (kg)
3/4" - 1/2"	RF612/26.7-608/21.3		78	25	0.82
1" - 3/4"	RF616/33.4-612/26.7		88	30	1.21
1 1/4" - 1"	RF620/42.2-616/33.4		103	35	1.88
1 1/4" - 3/4"	RF620/42.2-612/26.7		103	35	1.97
1 1/2" - 1 1/4"	RF624/48.3-620/42.2		118	40	2.81
1 1/2" - 1"	RF624/48.3-616/33.4		118	40	2.93
2" - 1 1/2"	RF632/60.3-624/48.3		148	40	4.43
2" - 1 1/4"	RF632/60.3-620/42.2		148	40	4.59

Component material: St 52

Other materials by request, for example Stainless Steel, SMO, Duplex, Titanium and Superduplex.

Part number does not include bolts



Metric

Size	Complete Part No	Complete ID Code	L	D	Weight (kg)	Body Part No	Body ID Code
1/2"	608019	19040593	170	27	0.53	08019	19040000
3/4"	612019	19040595	170	37	1.71	12019	19040001
1"	616019	19040600	170	40	2.09	16019	19040005
1 1/4"	620019	19040605	180	47	2.97	20019	19040010
1 1/2"	624019	19040610	180	57	4.50	24019	19040015
2"	632019	19040615	210	68	6.92	32019	19040020

ANSI 36.19

Size	Complete Part No	Complete ID Code	L	D	Weight (kg)	Body Part No	Body ID Code
1/2"	608019/21.3	19041608	170	22	1.0	08019/21.3	19041008
3/4"	612019/26.7	19041612	170	27	1.3	12019/26.7	19041012
1"	616019/33.4	19041616	170	34	1.6	16019/33.4	19041016
1 1/4"	620019/42.2	19041620	180	43	2.6	20019/42.2	19041020
1 1/2"	624019/48.3	19041624	180	49	3.6	24019/48.3	19041024
2"	632019/60.3	19041632	210	61	6.2	32019/60.3	19041032

Body material: St 52

Other materials by request, for example Stainless Steel, SMO, Duplex, Titanium and Superduplex.

Part code does not include bolts

Material possibilities page 18

Flanges page 101

Retain Rings page 133

Bonded Seals page 134

TUBES & PIPES

CLAMPS

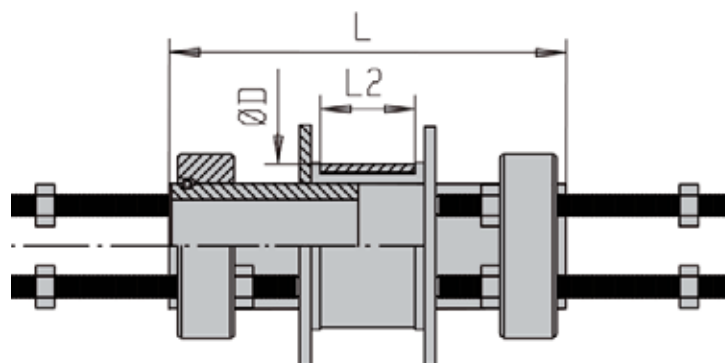
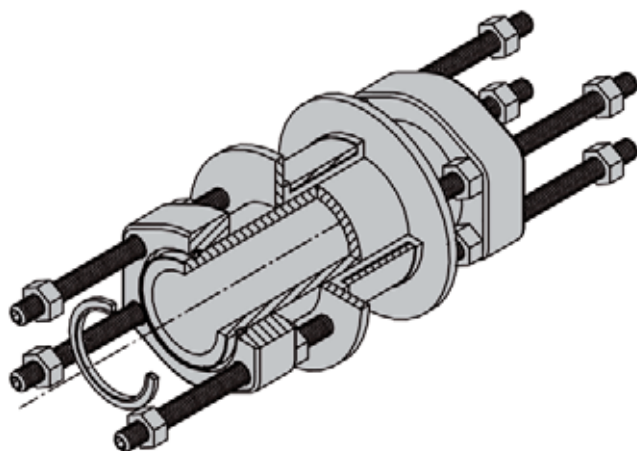
VALVES

BITE TYPE
FITTINGSSAE J514 JIC
FLARE FITTINGSHOSES &
HOSE COUPLINGS

ADAPTORS

SPECIAL
SOLUTIONS

MACHINES

TECHNICAL
INFORMATION**Metric**

Size	Complete Part No	Complete ID Code	L	D	L2	Weight (kg)
3/4"	612024	19042095	170	58	50	3.29
1"	616024	19042100	170	63	50	4.19
1 1/4"	620024	19042105	180	68	50	5.84
1 1/2"	624024	19042110	180	78	50	8.04
2"	632024	19042115	210	88	50	13.0

ANSI 36.19

Size	Complete Part No	Complete ID Code	L	D	L2	Weight (kg)
1/2"	608024/21.3	19042608	170	46	50	2.1
3/4"	612024/26.7	19042612	170	58	50	2.1
1"	616024/33.4	19042616	170	63	50	2.2
1 1/4"	620024/42.2	19042620	180	68	50	3.4
1 1/2"	624024/48.3	19042624	180	78	50	4.8
2"	632024/60.3	19042632	210	88	50	6.5

Body material: St 52

Other materials by request, for e.g. Stainless Steel, SMO, Duplex, Titanium and Superduplex.

Part code does not include bolts

Material possibilities page 18

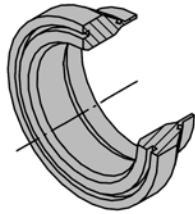
Flanges page 101

Retain Rings page 133

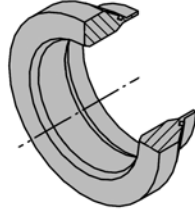
Bonded Seals page 134

SAE J518 Code 62

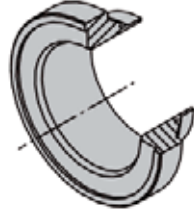
Insert Cones for Flare Flange Connections



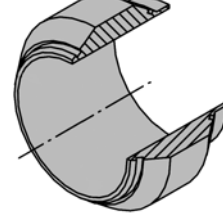
Type A



Type B



Type C



Type D

Metric

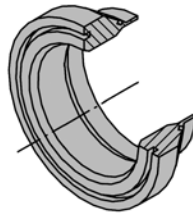
Size	Part No Type A	ID Code Type A	Part No Type B	ID Code Type B	Part No Type C	ID Code Type C	Part No Type D	ID Code Type D	Pipe Size
1/2"	08/16X2.0FA	14010003	08/16X2.0FB	14010004	08/16X2.0FC	14010005	08/16X2.0FD	14010006	16x2.0
1/2"	08/18X2.0FA	14010021	08/18X2.0FB	14010022	08/18X2.0FC	14010023	08/18X2.0FD	14010024	18x2.0
1/2"	08/20X2.0FA	14010041	08/20X2.0FB	14010042	08/20X2.0FC	14010043	08/20X2.0FD	14010044	20x2.0
1/2"	08/25X2.5FA	14010060	08/25X2.5FB	14010061	08/25X2.5FC	14010063	08/25X2.5FD	14010064	25x2.5
1/2"	08/25X3.0FA	14010066	08/25X3.0FB	14010067	08/25X3.0FC	14010068	08/25X3.0FD	14010069	25x3.0
3/4"	12/20X2.0FA	14010101	12/20X2.0FB	14010102	12/20X2.0FC	14010103	12/20X2.0FD	14010104	20x2.0
3/4"	12/20X2.5FA	14010106	12/20X2.5FB	14010107	12/20X2.5FC	14010108	12/20X2.5FD	14010109	20x2.5
3/4"	12/25X2.5FA	14010121	12/25X2.5FB	14010122	12/25X2.5FC	14010123	12/25X2.5FD	14010124	25x2.5
3/4"	12/25X3.0FA	14010126	12/25X3.0FB	14010127	12/25X3.0FC	14010128	12/25X3.0FD	14010129	25x3.0
3/4"	12/30X3.0FA	14010141	12/30X3.0FB	14010142	12/30X3.0FC	14010143	12/30X3.0FD	14010144	30x3.0
1"	16/25X2.5FA	14010161	16/25X2.5FB	14010162	16/25X2.5FC	14010163	16/25X2.5FD	14010164	25x2.5
1"	16/25X3.0FA	14010166	16/25X3.0FB	14010167	16/25X3.0FC	14010168	16/25X3.0FD	14010169	25x3.0
1"	16/30X3.0FA	14010181	16/30X3.0FB	14010182	16/30X3.0FC	14010183	16/30X3.0FD	14010184	30x3.0
1"	16/30X4.0FA	14010186	16/30X4.0FB	14010187	16/30X4.0FC	14010188	16/30X4.0FD	14010189	30x4.0
1"	16/38X4.0FA	14010227	16/38X4.0FB	14010228	16/38X4.0FC	14010229	16/38X4.0FD	14010230	38x4.0
1 1/4"	20/30X3.0FA	14010241	20/30X3.0FB	14010242	20/30X3.0FC	14010243	20/30X3.0FD	14010244	30x3.0
1 1/4"	20/30X4.0FA	140102442	20/30X4.0FB	140102444	20/30X4.0FC	14010245	20/30X4.0FD	1401024510	30x4.0
1 1/4"	20/38X4.0FA	14010285	20/38X4.0FB	14010285	20/38X4.0FC	14010287	20/38X4.0FD	14010288	38x4.0
1 1/4"	20/38X5.0FA	14010290	20/38X5.0FB	10410292	20/38X5.0FC	10410293	20/38X5.0FD	10410294	38x5.0
1 1/4"	20/42X4.0FA	14010306	20/42X4.0FB	14010307	20/42X4.0FC	14010308	20/42X4.0FD	14010309	42x4.0
1 1/2"	24/30X3.0FA	14010327	24/30X3.0FB	14010328	24/30X3.0FC	14010329	24/30X3.0FD	14010330	30x3.0
1 1/2"	24/38X4.0FA	14010341	24/38X4.0FB	14010342	24/38X4.0FC	14010343	24/38X4.0FD	14010344	38x4.0
1 1/2"	24/42X4.0FA	14010366	24/42X4.0FB	14010367	24/42X4.0FC	14010368	24/42X4.0FD	14010369	42x4.0
1 1/2"	24/50X5.0FA	14010397	24/50X5.0FB	14010398	24/50X5.0FC	14010399	24/50X5.0FD	14010400	50x5.0
2"	32/50X5.0FA	14010411	32/50X5.0FB	14010412	32/50X5.0FC	14010413	32/50X5.0FD	14010414	50x5.0
2"	32/60X5.0FA	14010421	32/60X5.0FB	14010422	32/60X5.0FC	14010423	32/60X5.0FD	14010424	60x5.0
2"	32/60X6.0FA	14010426	32/60X6.0FB	14010427	32/60X6.0FC	14010428	32/60X6.0FD	14010429	60x6.0

Body material: St 52
Other materials by request, for example Stainless Steel, SMO, Duplex, Titanium and Superduplex.

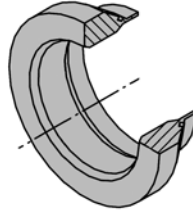
SAE 6000 PSI

Insert Cones for Flare Flange Connections

SAE J518 Code 62



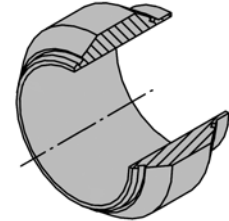
Type A



Type B



Type C



Type D

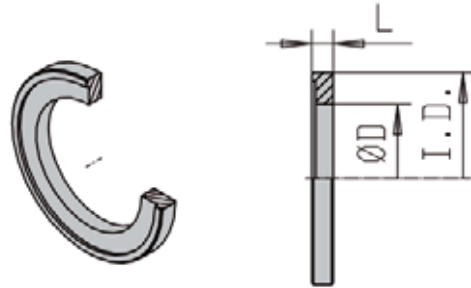
ANSI 36.19

Size	Part No Type A	ID Code Type A	Part No Type B	ID Code Type B	Part No Type C	ID Code Type C	Part No Type D	ID Code Type D	Pipe Size
1/2"	08/21.3X3.7FA	1401004921	08/21.3X3.7FB	14010049212	08/21.3X3.7FC	14010049214	08/21.3X3.7FD	14010049216	21.3X3.7
1/2"	08/21.3X4.8FA	1401004922	08/21.3X4.8FB	14010049222	08/21.3X4.8FC	14010049224	08/21.3X4.8FD	14010049226	21.3X4.8
1/2"	08/19.05X2.11FA	1401004911	08/19.05X2.11FB	14010049112	08/19.05X2.11FC	14010049114	08/19.05X2.11FD	14010049116	19.05X2.11
1/2"	08/19.05X2.41FA	1401004912	08/19.05X2.41FB	14010049122	08/19.05X2.41FC	14010049124	08/19.05X2.41FD	14010049126	19.05X2.41
1/2"	08/19.05X2.77FA	1401004913	08/19.05X2.77FB	14010049132	08/19.05X2.77FC	14010049134	08/19.05X2.77FD	14010049136	19.05X2.77
3/4"	12/26.7X3.9FA	1401003130	12/26.7X3.9FB	14010031302	12/26.7X3.9FC	14010031304	12/26.7X3.9FD	14010031306	26.7X3.9
3/4"	12/26.7X5.6FA	1401003131	12/26.7X5.6FB	14010031312	12/26.7X5.6FC	14010031314	12/26.7X5.6FD	14010031316	26.7X5.6
3/4"	12/25.4X2.11FA	1401003120	12/25.4X2.11FB	14010031202	12/25.4X2.11FC	14010031204	12/25.4X2.11FD	14010031206	25.4X2.11
3/4"	12/25.4X2.77FA	1401003121	12/25.4X2.77FB	14010031212	12/25.4X2.77FC	14010031214	12/25.4X2.77FD	14010031216	25.4X2.77
3/4"	12/25.4X3.05FA	1401003122	12/25.4X3.05FB	14010031222	12/25.4X3.05FC	14010031224	12/25.4X3.05FD	14010031226	25.4X3.05
1"	16/33.4X3.4FA	1401019721	16/33.4X3.4FB	14010197212	16/33.4X3.4FC	14010197214	16/33.4X3.4FD	14010197216	33.4X3.4
1"	16/33.4X4.6FA	140101973	16/33.4X4.6FB	140101974	16/33.4X4.6FC	140101975	16/33.4X4.6FD	140101976	33.4X4.6
1"	16/33.4X6.4FA	140101978	16/33.4X6.4FB	1401019782	16/33.4X6.4FC	1401019784	16/33.4X6.4FD	1401019786	33.4X6.4
1"	16/31.75X2.77FA	140101918	16/31.75X2.77FB	1401019182	16/31.75X2.77FC	1401019184	16/31.75X2.77FD	1401019186	31.75X2.77
1"	16/31.75X3.05FA	140101901	16/31.75X3.05FB	140101902	16/31.75X3.05FC	14010191	16/31.75X3.05FD	140101916	31.75X3.05
1"	16/31.75X3.40FA	14010192	16/31.75X3.40FB	140101922	16/31.75X3.40FC	140101924	16/31.75X3.40FD	140101926	31.75X3.40
1 1/4"	20/38.1X3.40FA	14010298	20/38.1X3.40FB	140102982	20/38.1X3.40FC	140102984	20/38.1X3.40FD	140102986	38.1X3.40
1 1/4"	20/38.1X3.96FA	14010299	20/38.1X3.96FB	140102992	20/38.1X3.96FC	140102994	20/38.1X3.96FD	140102996	38.1X3.96
1 1/4"	20/38.1X4.78FA	14010300	20/38.1X4.78FB	140103002	20/38.1X4.78FC	140103004	20/38.1X4.78FD	140103006	38.1X4.78
1 1/4"	20/42.2X3.6FA	14010314	20/42.2X3.6FB	140103142	20/42.2X3.6FC	140103144	20/42.2X3.6FD	140103146	42.2X3.6
1 1/4"	20/42.2X4.9FA	14010315	20/42.2X4.9FB	140103152	20/42.2X4.9FC	140103154	20/42.2X4.9FD	140103156	42.2X4.9
1 1/4"	20/42.2X6.4FA	14010316	20/42.2X6.4FB	140103162	20/42.2X6.4FC	140103164	20/42.2X6.4FD	140103166	42.2X6.4
1 1/2"	24/50.8X3.96FA	14010386	24/50.8X3.96FB	140103862	24/50.8X3.96FC	140103864	24/50.8X3.96FD	140103866	50.8X3.96
1 1/2"	24/50.8X4.78FA	14010387	24/50.8X4.78FB	140103872	24/50.8X4.78FC	140103874	24/50.8X4.78FD	140103876	50.8X4.78
1 1/2"	24/48.3X3.7FA	14010379	24/48.3X3.7FB	140103792	24/48.3X3.7FC	140103794	24/48.3X3.7FD	140103796	48.3X3.7
1 1/2"	24/48.3X5.1FA	1401038214	24/48.3X5.1FB	1401038215	24/48.3X5.1FC	1401038218	24/48.3X5.1FD	1401038219	48.3X5.1
2"	32/60.3X3.9FA	14010438	32/60.3X3.9FB	140104382	32/60.3X3.9FC	140104384	32/60.3X3.9FD	140104386	60.3X3.9
2"	32/60.3X5.5FA	14010439	32/60.3X5.5FB	140104392	32/60.3X5.5FC	140104394	32/60.3X5.5FD	140104396	60.3X5.5

Material: St 52

Other materials by request, for example Stainless Steel, SMO, Duplex, Titanium and Superduplex.

Type C with metric bonded seal. By request with ANSI 36.19 bonded seal.



TUBES & PIPES

CLAMPS

VALVES

BITE TYPE FITTINGS

SAE J514 JIC FLARE FITTINGS

HOSES & HOSE COUPLINGS

ADAPTORS

SPECIAL SOLUTIONS

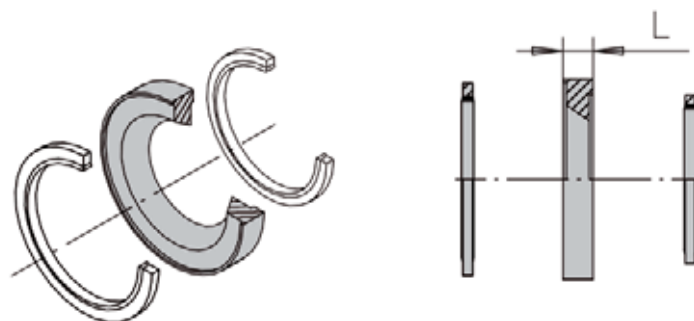
MACHINES

TECHNICAL INFORMATION

Metric

Size	Part No	ID Code	L	D	ID	Weight (kg)
1/2"	08099	18030001	7	30	14	0.02
3/4"	12099	18030010	7	40	20	0.05
1"	16099	18030020	7	45	24	0.06
1 1/4"	20099	18030030	7	50	30	0.07
1 1/2"	24099	18030040	7	60	39	0.09
2"	32099	18030050	7	70	49	0.12

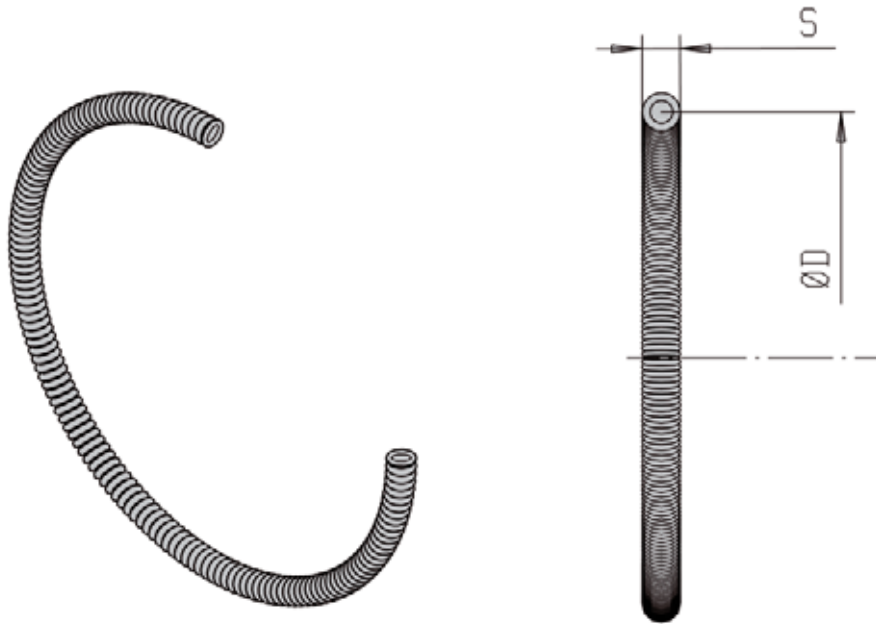
Component material: St 52
 Other materials by request, for example Stainless Steel, SMO, Duplex, Titanium and Superduplex.

SAE 6000 PSI**Adapter between Metric and ANSI 36.19 -pipes****SAE J518 Code 62****Metric/ANSI 36.19**

Size	Part No	ID Code	A-Tube	B-Pipe	Bonded Seal		L
					1	2	
1/2"	08087	18032010	26x6.0	21.3x7.5	0823	0821	10
3/4"	12087	18032020	36x8.0	26.7x7.8	1213	0823	10
1"	16087	18032030	39x7.5	33.4x6.4	1629	1633	10
1"	16088	18032035	39x7.5	33.4x9.1	1629	1633	10
1 1/4"	20087	18032040	46x8.5	42.2x6.4	2030	2042	10
1 1/4"	20088	18032045	46x8.5	42.2x9.7	2030	2042	10
1 1/2"	24087	18032050	56x8.5	48.3x7.1	2432	2448	10
1 1/2"	24088	18032055	56x8.5	48.3x10.2	2432	2448	10
2"	32087	18032060	66x8.5	60.3x8.7	3219	3260	10
2"	32088	18032065	66x8.5	60.3x11.1	3219	3260	10

Component material: St 52

Other materials by request, for example Stainless Steel, SMO, Duplex, Titanium and Superduplex.



TUBES & PIPES

CLAMPS

VALVES

BITE TYPE FITTINGS

SAE J514 JIC FLARE FITTINGS

HOSES & HOSE COUPLINGS

ADAPTORS

SPECIAL SOLUTIONS

MACHINES

TECHNICAL INFORMATION

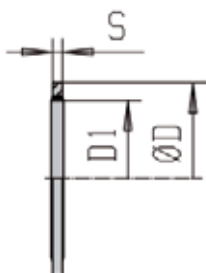
Metric

Size	Part No	ID Code	Pipe Size	D	S
1/2"	08	19020001	26x6	30	4
3/4"	12	19020010	36x8	40	4
1"	16	19020020	39x7.5	44	5
1 1/4"	20	19020030	46x8	51	5
1 1/2"	24	19020040	56x8.5	61	5
2"	32	19020060	66x8.5	71	5

ANSI 36.19

Size	Part No	ID Code	Pipe Size	D	S
1/2"	08/21.3	19020002	21.3x7.5	25.4	4
3/4"	12/26.7	19020012	26.7x7.8	30.7	4
1"	16/33.4	19020022	33.4x9.1	38.4	5
1 1/4"	20/42.2	19020032	42.2x9.7	47.2	5
1 1/2"	24/48.3	19020042	48.3x10.2	53.4	5
2"	32/60.3	19020062	60.3x11.1	66.3	6

Material: AISI 302, special treated.



Type-SC bonded seal are using in male thread flanges (BSP) as O-ring 2. See page 104.

1225SC is Bonded Seal 2 for 08014
 1629SC is Bonded Seal 2 for 12014
 2030SC is Bonded Seal 2 for 16014
 2432SC is Bonded Seal 2 for 20014
 2433SC is Bonded Seal 2 for 24014
 3236SC is Bonded Seal 2 for 32014

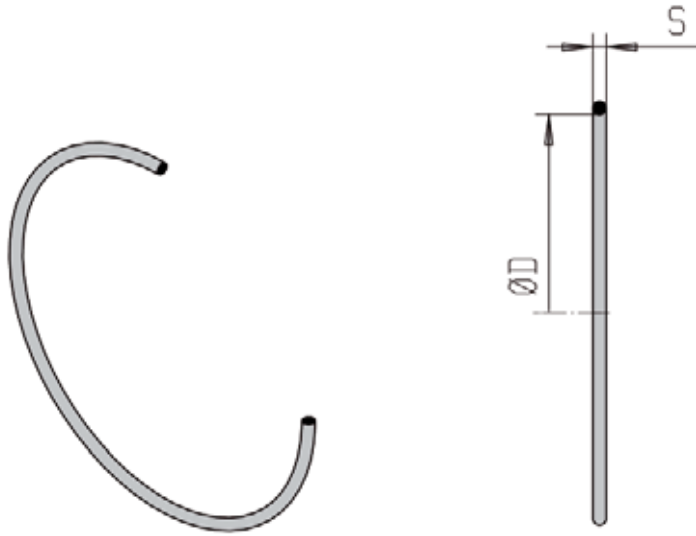
Metric

Size	Part No	ID Code	S	D	D1
R1/4"	0821SC	19030510	2.10	20.63	13.71
1/2"	0823	19030014	2.03	23.80	17.28
3/4"	1213	19030020	2.34	33.27	24.26
R1/2"	1225SC	19030520	2.34	28.58	21.54
1"	1629	19030030	2.34	34.93	27.05
R3/4"	1629SC	19030530	2.34	34.93	27.05
1 1/4"	2030	19030040	3.25	42.80	33.89
R1"	2030SC	19030540	3.25	42.80	33.89
1 1/2"	2432	19030050	3.25	52.38	42.93
R1 1/4"	2432SC	19030550	3.25	52.38	42.93
R1 1/2"	2433SC	19030560	3.25	58.60	48.44
2"	3219	19030070	3.25	63.50	51.69
R2"	3236SC	19030570	3.25	73.03	60.58

ANSI 36.19

Size	Part No	ID Code	Pipe Size	S
1/2"	0821	19030010	21.3x7.5	2.10
R1/2"	1225SC	19030520	21.3x7.5	2.34
3/4"	0823	19030014	26.7x7.8	2.03
R3/4"	1629SC	19030530	26.7x7.8	2.34
1"	1633	19030030	33.4x9.1	2.34
R1"	2030SC	19030540	33.4x9.1	3.25
1 1/4"	2024	19030044	42.2x9.7	3.25
R1 1/4"	2432SC	19030550	42.2x9.7	3.25
1 1/2"	2448	19030052	48.3x10.2	3.25
R1 1/2"	2433SC	19030560	48.3x10.2	3.25
2"	3260	19030074	60.3x11.1	3.25
R2"	3236SC	19030570	60.3x11.1	3.25

Material: Steel and Perbunan or Stainless Steel and Perbunan.



TUBES & PIPES

CLAMPS

VALVES

BITE TYPE FITTINGS

SAE J514 JIC FLARE FITTINGS

HOSES & HOSE COUPLINGS

ADAPTORS

SPECIAL SOLUTIONS

MACHINES

TECHNICAL INFORMATION

O-Ring between 37° Insert Cones – Metric/ANSI 36.19

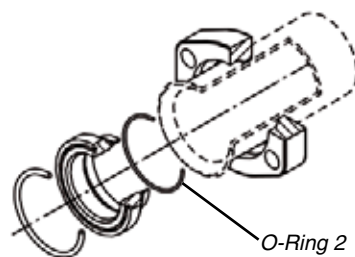
Size	Part No	ID Code	GS Size
1/2"	OR18.64X3.53	19035060	08
3/4"	OR24.99X3.53	19035120	12
1"	OR32.92X3.53	19035194	16
1 1/4"	OR37.69X3.53	19035242	20
1 1/2"	OR47.22X3.53	19035290	24
2"	OR56.75X3.53	19035350	32
2 1/2"	OR69.44X3.53	19035400	40
3"	OR85.32X3.53	19035460	48

Material: NBR, Shore A 90
Other materials by request, example Viton.

SAE 6000 PSI

O-Ring 2 for Insert Cone

SAE J518 Code 62

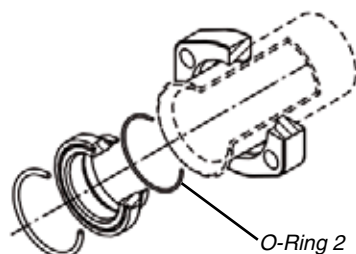


Metric

Pipe Size	Part No	ID Code
16x2.0	OR12x1.0	19035000
16x2.5	OR12x1.0	19035000
18x2.0	OR14x1.0	19035020
20x2.0	OR14x1.0	19035020
20x2.5	OR16x1.0	19035040
20x3.0	OR15x1.0	19035030
20x4.0	OR12x1.0	19035000
20x4.0	OR17x1.0	19035052
22x2.0	OR22x1.0	19035100
25x1.5	OR20x1.0	19035080
25x2.0	OR20x1.0	19035080
25x2.5	OR20x1.0	19035080
25x3.0	OR17x1.0	19035052
25x3.5	OR17x1.0	19035052
25x3.0	OR23x1.0	19035110
25x3.5	OR25x1.0	19035132
25x4.0	OR25x1.0	19035132
28x2.0	OR23x1.0	19035110
30x2.0	OR22x1.0	19035100
30x2.5	OR25x1.0	19035132
30x3.0	OR30x1.0	19035172
30x4.0	OR28x1.0	19035160
34x4.5	OR32x1.0	19035196
35x2.0	OR30x1.0	19035172
36x4.0	OR28x1.0	19035160
38x2.5	OR32x1.0	19035196
38x3.0	OR30x1.0	19035172
38x4.0	OR30x1.0	19035172
38x5.0	OR28x1.0	19035160
42x2.0	OR37.82x1.78	19035246
42x2.5	OR37.82x1.78	19035246
42x3.0	OR34x1.0	19035212
42x4.0	OR34x1.0	19035212
43x5.5	OR32x1.0	19035212
45x4.0	OR37.82x1.78	19035246
48x4.0	OR41x1.78	19035250
50x3	OR41x1.78	19035250
50x5.0	OR41x1.78	19035250
50x6.0	OR37.82x1.78	19035246
57x2.0	OR53.7x1.78	19035330
60x3.0	OR52.5x1.78	19035320
60x5.0	OR50.52x1.78	19035310
60x6.0	OR47.37x1.78	19035292

Material: NBR, Shore A 90

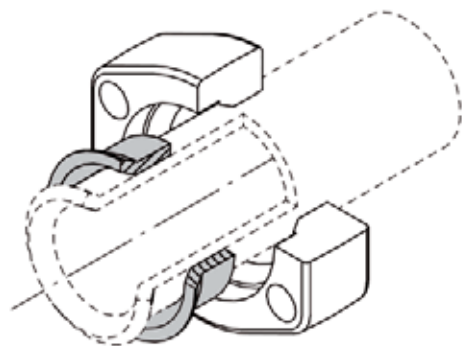
Other materials by request, example Viton.



ANSI 36.19

Pipe Size	Part No	Part ID Code
19.05x2.11	OR15x1.0	19035030
19.05x2.41	OR12x1.0	19035000
19.05x2.77	OR14X1.0	19035020
21.3x3.7	OR14x1.0	19035020
21.3x4.8	OR12x1.0	19035000
25.4x2.11	OR20x1.0	19035080
25.4x2.77	OR20x1.0	19035080
25.4x3.05	OR20x1.0	19035080
26.7x3.9	OR20x1.0	19035080
26.7x5.6	OR16x1.0	19035040
31.75x2.77	OR25x1.0	19035132
31.75x3.05	OR25x1.0	19035132
31.75x3.40	OR23x1.0	19035110
33.4x3.4	OR28x1.0	19035160
33.4x4.6	OR23x1.0	19035110
33.4x6.4	OR21x1.0	19035085
38.1x3.40	OR30x1.0	19035172
38.1x3.96	OR30x1.0	19035172
38.1x4.78	OR28x1.0	19035160
42.2x3.6	OR34x1.0	19035212
42.2x4.9	OR32x1.0	19035196
42.2x6.4	OR34x1.0	19035212
48.3x3.7	OR41x1.78	19035250
48.3x5.1	OR37.82x1.78	19035246
50.8x3.96	OR41x1.78	19035250
50.8x4.78	OR41x1.78	19035250
60.3x3.9	OR53.70x1.78	19035330
60.3x5.5	OR50.52x1.78	19035310

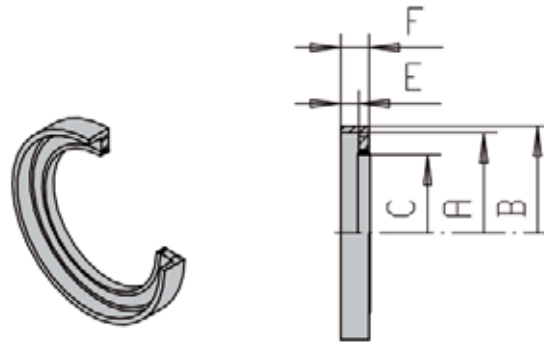
Material: NBR, Shore A 90
Other materials by request, example Viton.

**Metric**

Size	Part No	ID Code	Pipe O.D. (mm)
1/2"	08/16F	14010001	16
1/2"	08/18F	14010020	18
1/2"	08/20F	14010040	20
3/4"	12/20F	14010100	20
3/4"	12/25F	14010120	25
1"	16/25F	14010160	25
1"	16/30F	14010180	30
1 1/4"	20/30F	14010240	30
1 1/4"	20/38F	14010280	38
1 1/2"	24/38F	14010340	38
1 1/2"	24/42F	14010360	42
2"	32/50F	14010410	50

Component material: St 52

Other materials by request, for example Stainless Steel,
SMO, Duplex, Titanium and Superduplex.



Metric

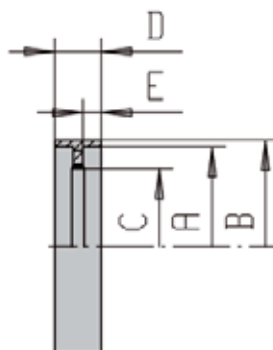
Size	Complete Part No	Complete ID Code	Pipe O.D.	Dowty Seal Part No	A	B	C	E	F
1 1/2"	S2450	18998024	56	2432	56.2	60.5	42.9	6	9.3
2"	S3250	18998032	66	3219	66.2	70.5	51.7	6	9.3

ANSI 36.19

Size	Complete Part No	Complete ID Code	Pipe O.D.	Dowty Seal Part No	A	B	C	E	F
1/2"	S0850/31.3x7.47	18999308	21.6	0821	21.8	25	10.4	4	6
3/4"	S1250/26.7xW.T	18999312	26.7	0823	26.9	30.5	17.3	4	6
1"	S1650/33.4xW.T	18999316	33.4	1633	33.6	38	21.5	4	6.3
1 1/4"	S2050/42.2xW.T	18999320	42.2	2042	42.4	47	31.0	4	6.3
1 1/2"	S2450/48.3xW.T	18999324	48.3	2448	48.5	53	35.9	6	9.3
2"	S3250/60.3xW.T	18999332	60.3	3260	60.5	65	46.5	6	9.3

Seal Carrier material: same as pipe

Bonded Seals page 134

**Metric**

Size	Complete Part No	Complete ID Code	Pipe O.D.	Dowty Seal Part No	A	B	C	E	D
1 1/2"	D2450	18998124	56	2432	56.2	60.5	42.9	6	15.3
2"	D3250	18998132	66	3219	66.2	70.5	51.7	6	15.3

ANSI 36.19

Size	Complete Part No	Complete ID Code	Pipe O.D.	Dowty Seal Part No	A	B	C	E	D
1/2"	D0850/31.3x7.47	18999208	21.6	0821	21.8	25	10.4	4	10
3/4"	D1250/26.7xW.T	18999212	26.7	0823	26.9	30.5	17.3	4	10
1"	D1650/33.4xW.T	18999216	33.4	1633	33.6	38	21.5	4	10.3
1 1/4"	D2050/42.2xW.T	18999220	42.2	2042	42.4	47	31.0	4	10.3
1 1/2"	D2450/48.3xW.T	18999224	48.3	2448	48.5	53	35.9	6	15.3
2"	D3250/60.3xW.T	18999232	60.3	3260	60.5	65	46.5	6	15.3

Seal Carrier material: same as pipe

Bonded Seals page 134